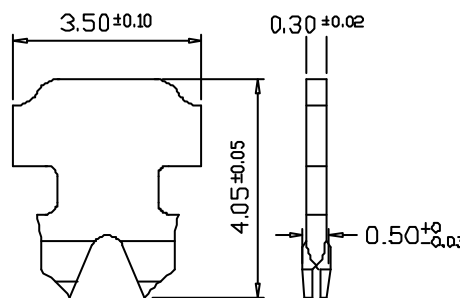
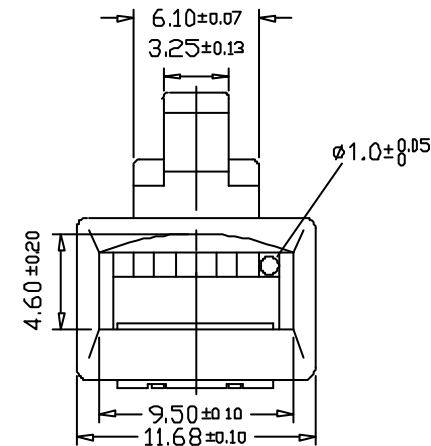
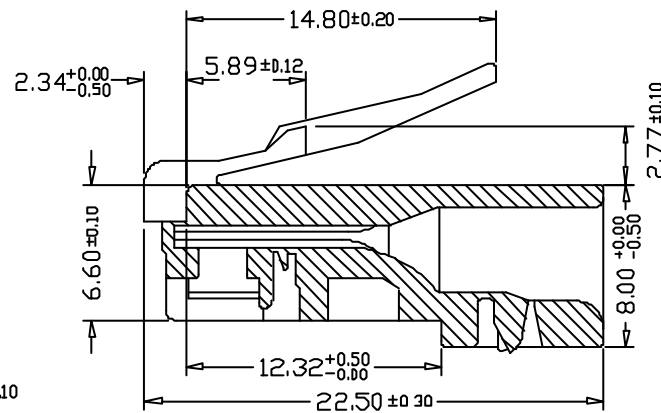
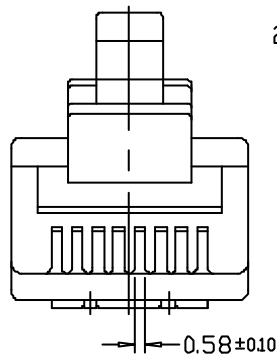


MP8P8C



2 PRONGS FOR SOLID WIRE(SS)
單芯線用大拐角型金片

RoHS Compliant

TOLERANCES ARE

MORETHANALL
PCB CONNECTORS
Cable ASSEMBLIES

DRAWING BY CY

CHECKED BY GENIUS

UNIT / mm

SCALE 1 : 1

DATE

SIZE A4

X, ±
.X ±
.XX ±
.XXX ±
ANG ±

PPOJECTION

照片框

ORDER INFORMATION

MP-R2S30-0808-LF

SERIES | LEADFREE
8P8C
SEMI GOLD 30u"
2 PRONGS
ROUND OUTLET

煜倫股份有限公司

www.morethanall.com

DESCRIPTION: