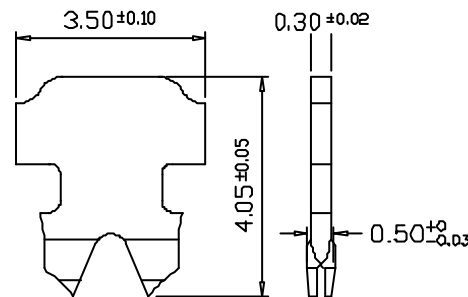
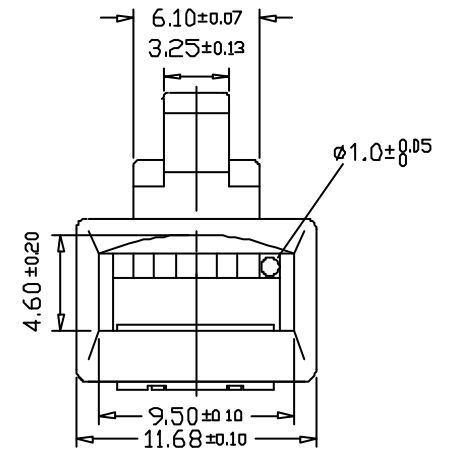
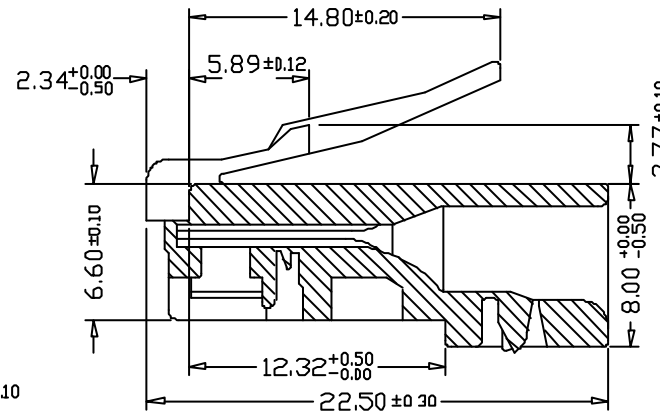
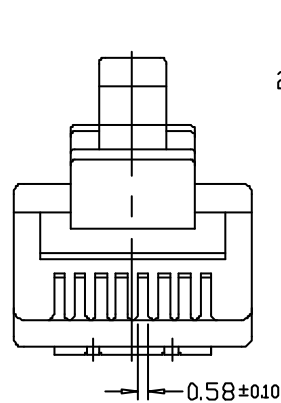


MP8P8C



2 PRONGS FOR SOLID WIRE(SS)  
單芯線用大拐角型金片

RoHS Compliant

TOLERANCES ARE

**MORETHANALL**  
PCB CONNECTORS  
Cable ASSEMBLIES

DRAWING BY CY

CHECKED BY GENIUS

UNIT / mm

SCALE 1 : 1

DATE

SIZE A4

PPOJECTION

X.±  
.X±  
.XX±  
.XXX±  
ANG±

照片框

ORDER INFORMATION

MP-R2B50-0808-LF

SERIES

LEADFREE

8P8C

50 PCS PER BAG

2 PRONGS

ROUND OUTLET

煜倫股份有限公司

www.morethanall.com

DESCRIPTION: