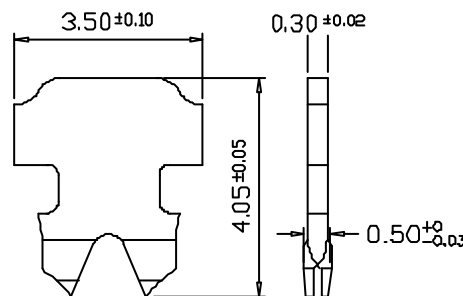
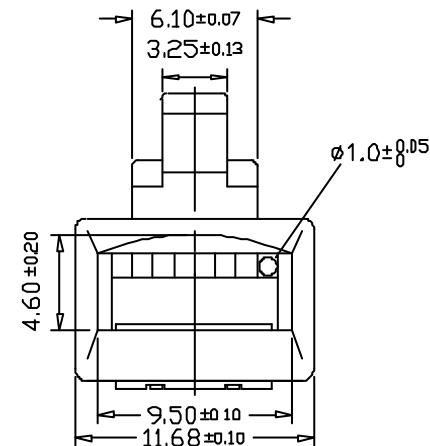
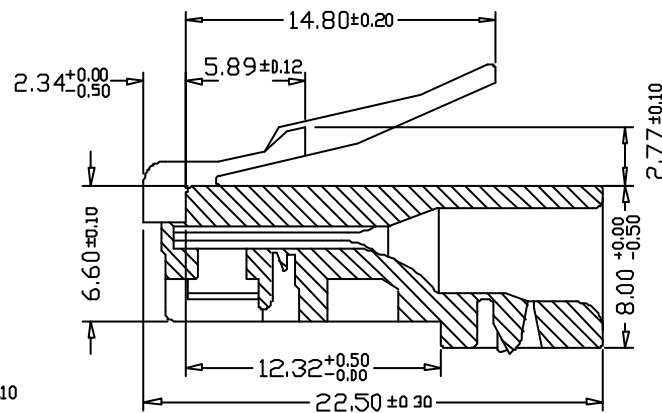
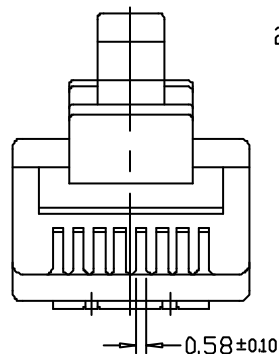


MP8P8C



2 PRONGS FOR SOLID WIRE(SS)

單芯線用大拐角型金片

RoHS Compliant

TOLERANCES ARE

**MORETHANALL**  
PCB CONNECTORS  
Cable ASSEMBLIES

DRAWING BY CY

CHECKED BY GENIUS

UNIT / mm

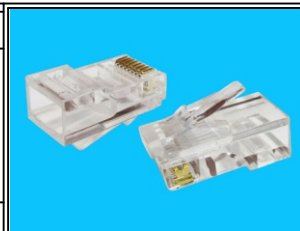
SCALE 1 : 1

DATE

SIZE A4

X.±  
.X±  
.XX±  
.XXX±  
ANG±

PPOJECTION



ORDER INFORMATION

MP-R2-0808-LF  
SERIES | LEADFREE  
8P8C  
2 PRONGS  
ROUND OUTLET

煜倫股份有限公司

www.morethanall.com

DESCRIPTION: