

1 2 3 4 5 6 7 8 9 0

J

I

H

G

F

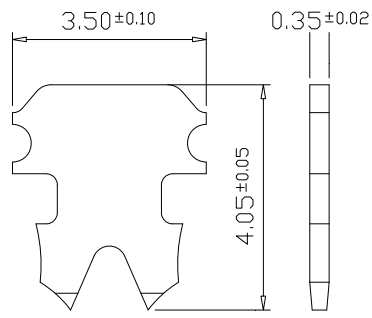
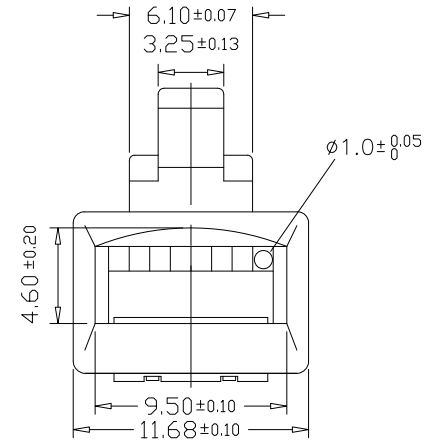
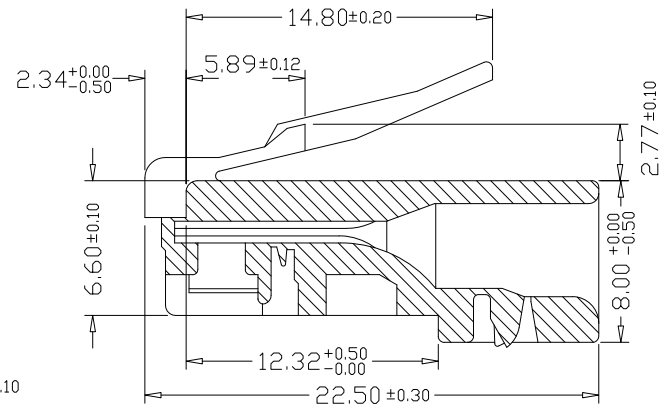
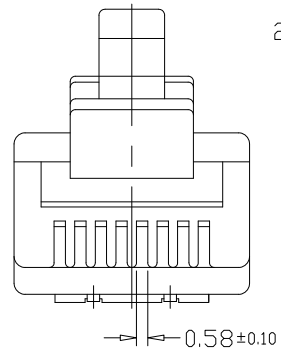
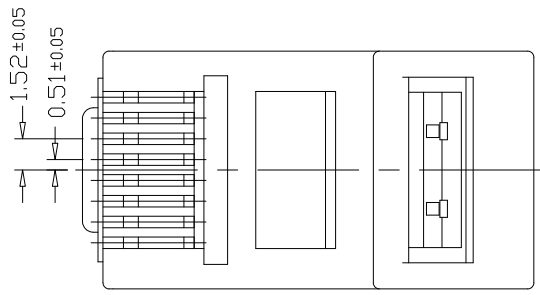
E

D

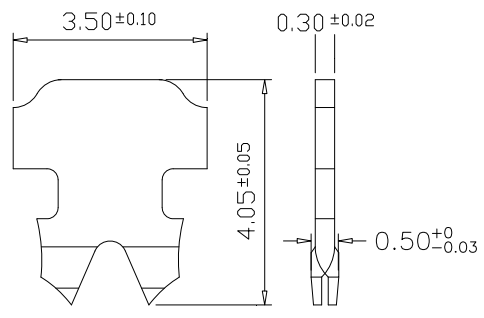
C

B

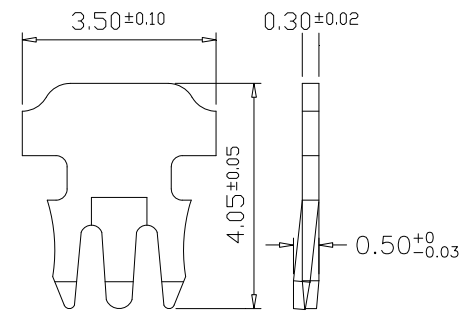
A



2 PRONGS FOR STRANDED WIRE  
多芯線用二叉型金片  
MP-R06-0808



2 PRONGS FOR SOLID WIRE(SS)  
單芯線用大拐角金片  
MP-R062-0808



3 PRONGS FOR SOLID WIRE(S)  
單芯線用三叉型金片  
MP-R063-0808

Remark:

1. 適用24~26AWG 線材

MP-R06x-0808-LF  
06:6u"/GOLD LEADFREE

RoHS Compliant



FILE NO.	PART NO. MP-R06x-0808		CHECKED BY CY	TOLERANCES ARE .X ± 0.2 .XX ± .XXX ± AWG	DESCRIP TION:	AREA	REVISIONS	HK	DATE
	UNIT / mm	SCALE 1:1							
PROJECTION									

煜倫股份有限公司