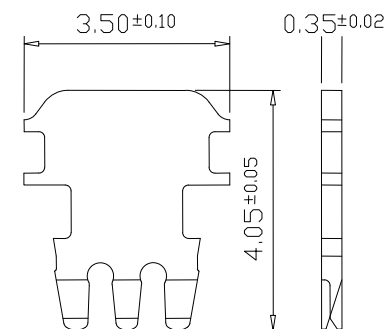


材質

1. 塑膠材質 Housing Material : (Polycarbonate(PC) UL 94V-2)
2. 金片型式 Contact Type : (三叉金片 3 prongs for SOLID wire)
3. 鍍金厚度 Gold Plating : (F μFlash)
4. 金片材質 Contact Material : (磷青銅 Phosphor Bronze)

Remark:

1. 適用24或 26 AWG 線材。 Available for 24 or 26 AWG wire.



3 PRONGS FOR SOLID WIRE(S)
單芯線用三叉型金片

RoHS Compliant

TOLERANCES ARE

MORETHANALL
PCB CONNECTORS
Cable ASSEMBLIES
煜倫股份有限公司

DRAWING BY CY

CHECKED BY GENIUS

UNIT / mm SCALE 1 : 1

DATE

SIZE A4

X. ±
.X ±
.XX ±
.XXX ±
ANG ±

PPOJECTION

照片框

ORDER INFORMATION

MP-FS3-0808-LF
SERIES LEADFREE
8P8C
3 PRONGS
SHORT
FLAT OUTLET

DESCRIPTION:

www.morethanall.com