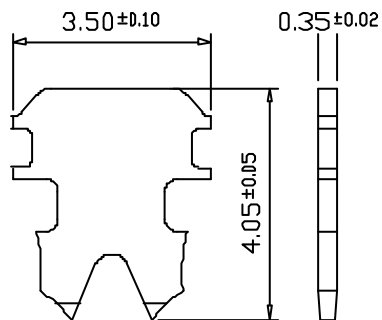


MP8P8C SHORT KEY



2 PRONGS FOR STRANDED WIRE
多芯線用二叉型金片

RoHS Compliant

TOLERANCES ARE

MORETHANALL
PCB CONNECTORS
Cable ASSEMBLIES

DRAWING BY CY

X.±

CHECKED BY GENIUS

.X±

UNIT / mm

SCALE 1:1

.XX±

DATE

.XXX±

ANG±

SIZE A4

PPOJECTION

照片框

ORDER INFORMATION

MP-FS-0808K-LF
SERIES | KEY | LEADFREE
8P8C
SHORT
FLATOUTLET

煜倫股份有限公司

www.morethanall.com

DESCRIPTION: