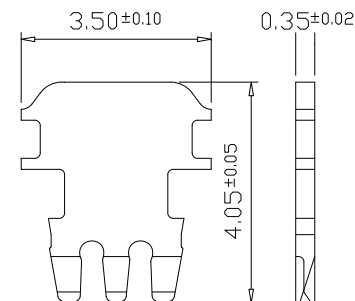


## Material

1. 塑膠材質 Housing Material: ( Polycarbonate(PC)  UL 94V-0  UL 94V-2 )
2. 金片型式 Contact Type: (  三叉金片 3 prongs for SOLID wire )
3. 鍍金厚度 Gold Plating: (  50 μ? ≥ 1.27 μm ) )
4. 金片材質 Contact Material: (  青銅 Bronze  磷青銅 Phosphor Bronze )

Remark:

1. 適用 26 或 28 AWG 線材。 Available for 26 or 28 AWG wire.



3 PRONGS FOR STRANDED & SOLID WIRE(S)  
多芯線&單芯線用三叉型金片

RoHS Compliant

TOLERANCES ARE

**MORETHANALL**  
PCB CONNECTORS  
Cable ASSEMBLIES  
煜倫股份有限公司

DRAWING BY CY

CHECKED BY GENIUS

UNIT / mm SCALE 1 : 1

DATE

SIZE A4

X. ±  
.X ±  
.XX ±  
.XXX ±  
ANG ±

P PROJECTION

照片框

ORDER INFORMATION

MP-F3S50-0404-LF

SERIES  
4P4C  
SEMI GOLD 50u"  
3 PRONGS  
FLAT OUTLET  
LEADFREE

DESCRIPTION:

www.morethanall.com