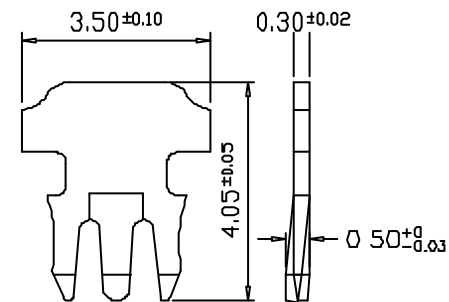
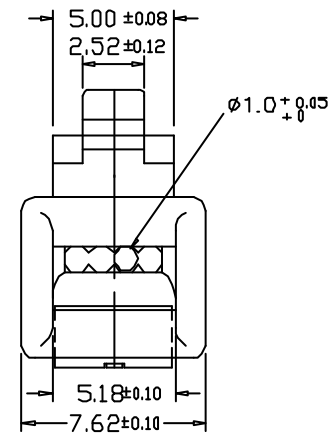
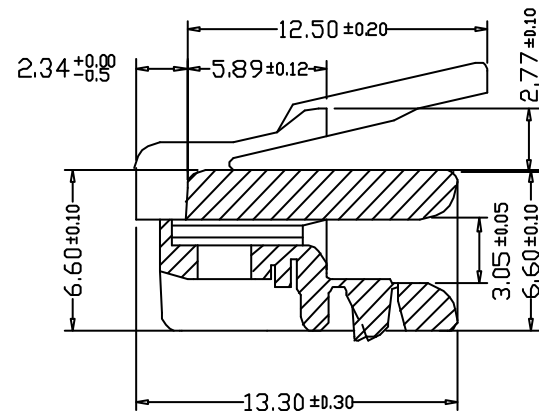
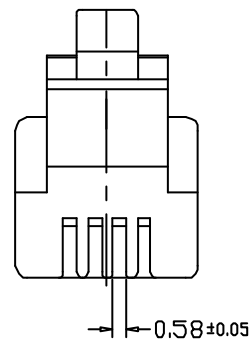


#111: MP4P4C



3 PRONGS FOR SOLID WIRE(S)
單芯線用三叉型金片

MP-F3-0404-LF
LEADFREE
RoHS Compliant



PART NO. MP-F3-0404

DWG NO. MP-F3-0404

CHECKED BY CY

TOLERANCES ARE

DESCRIPTION:

FILE NO.

DRAWING BY

.X ± 0.2
.XX ± 0.1
.XXX ±
AWG

AREA

REVISIONS

HK

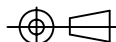
DATE

煜倫股份有限公司

UNIT / mm

SCALE 1:1

PROJECTION



--	--	--	--