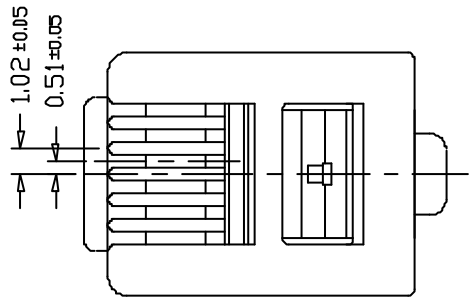
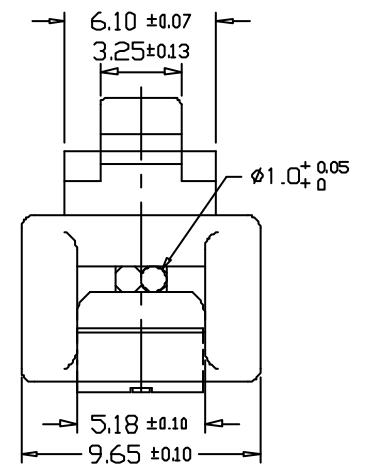
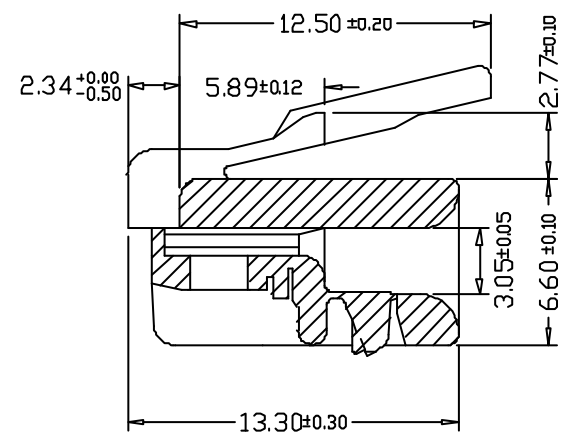
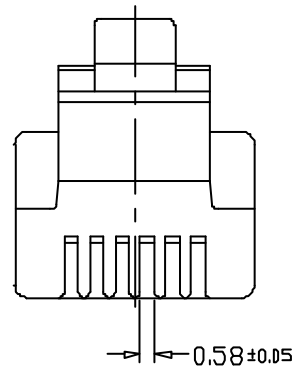


1 2 3 4 5 6 7 8 9 0

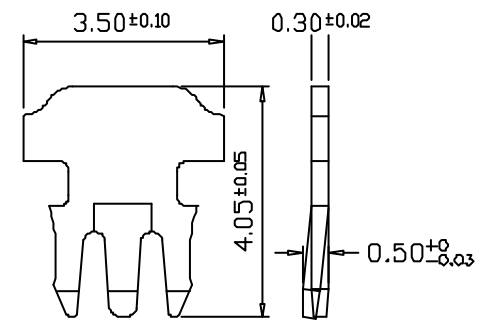
J
I
H
G
F
E
D
C
B
A



MP6P2C



MP-F3-0402-LF
LEADFREE
RoHS Compliant



3 PRONGS FOR SOLID WIRE(S)
單芯線用三叉型金片



PART NO. MP-F3-0402

DWG NO. MP-F3-0402

CHECKED BY CY

TOLERANCES ARE

DESCRIP TION:

FILE NO.

DRAWING BY

.X ± 0.2
.XX ± 0.1
.XXX ±

AREA

REVISIONS

HK

DATE

煜倫股份有限公司

UNIT / mm

SCALE 1:1

PROJECTION

AWG