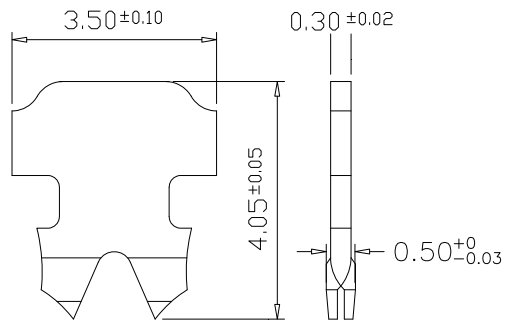
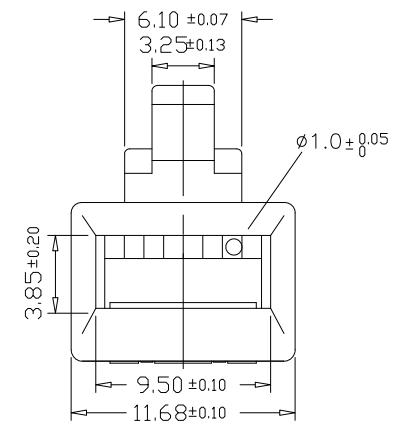
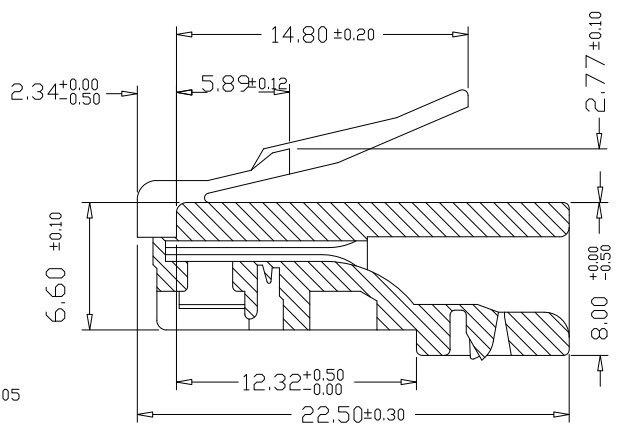
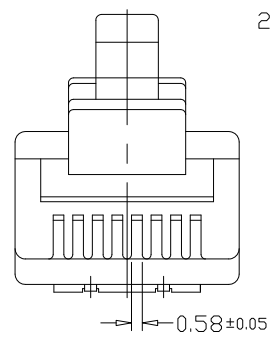
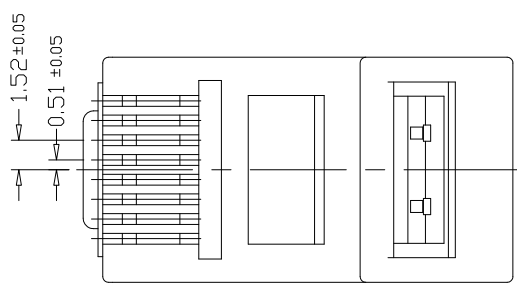


1 2 3 4 5 6 7 8 9 0

J  
I  
H  
G  
F  
E  
D  
C  
B  
A



2 PRONGS FOR SOLID WIRE(SS)  
單芯線用大拐角型金片

MP-F2-0808-LF  
LEADFREE  
RoHS Compliant



煜倫股份有限公司

PART NO. MP-F2-0808		CHECKED BY CY		TOLERANCES ARE .X± .XX± .XXX± AWG	DESCRIP TION:			
DWG NO. MP-F2-0808		DRAWING BY						
FILE NO.		PROJECTION		AREA	REVISIONS	HK	DATE	
UNIT / mm	SCALE 1:1							