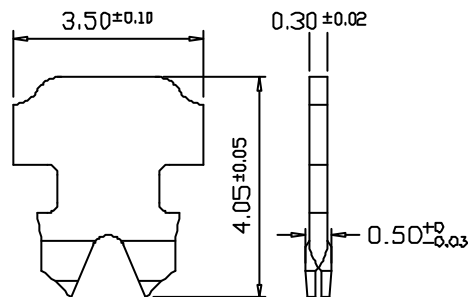
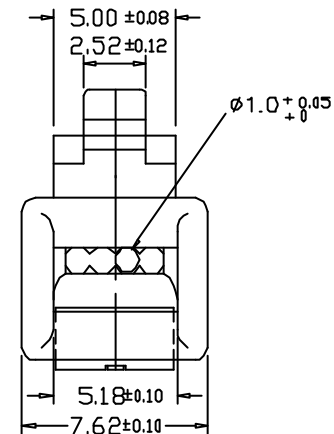
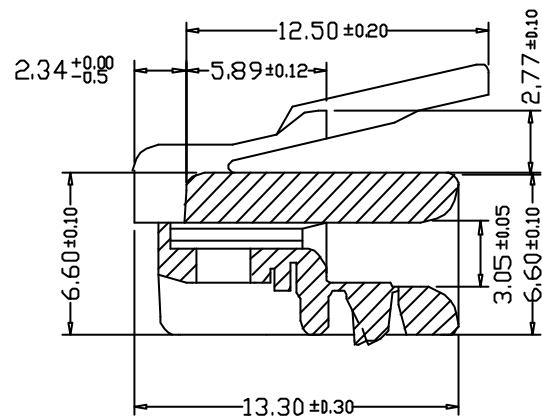
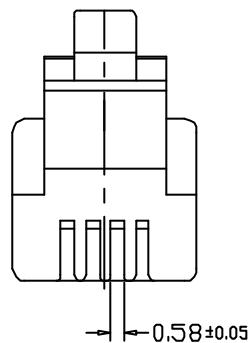


MP4P4C



2 PRONGS FOR SOLID WIRE(SS)  
單芯線用大拐角型金片

MP-F2-0404-LF  
LEADFREE  
RoHS Compliant



PART NO. MP-F2-0404

DWG NO. MP-F2-0404

CHECKED BY CY

TOLERANCES ARE

DESCRIP TION:

FILE NO.

DRAWING BY

.X ± 0.2  
.XX ± 0.1  
.XXX ±  
AWG

AREA

REVISIONS

HK

DATE

煜倫股份有限公司

UNIT / mm

SCALE 1:1

PROJECTION

