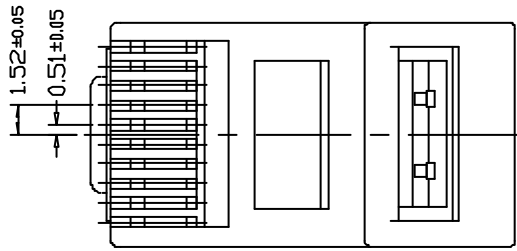
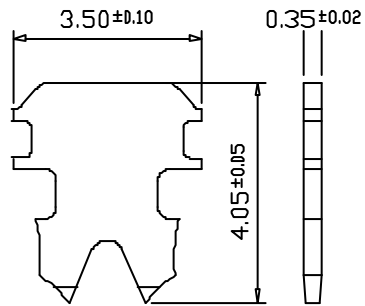
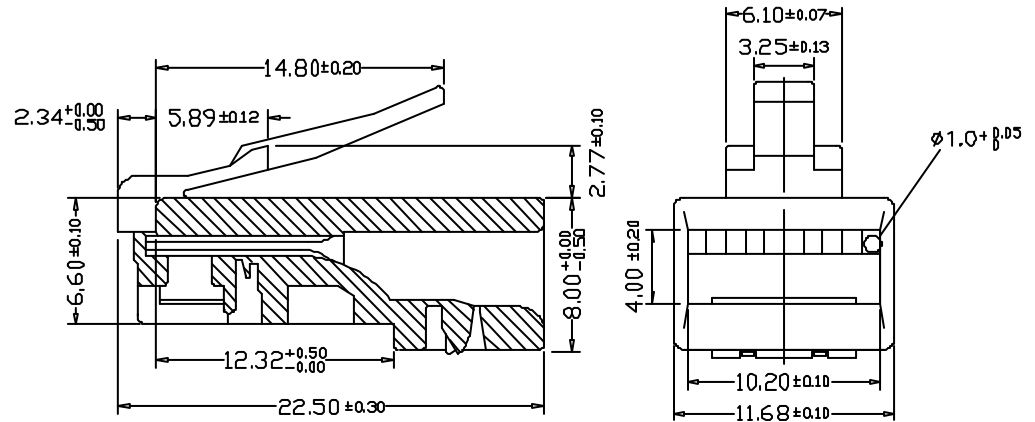
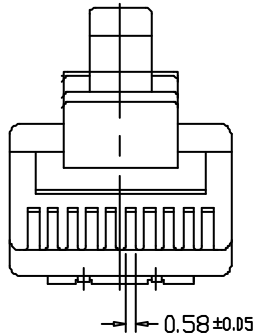


1 2 3 4 5 6 7 8 9 0

J
I
H
G
F
E
D
C
B
A



MP10P10C



2 PRONGS FOR STRANDED WIRE
多芯線用二叉型金片

MP-F-1010-LF
LEADFREE
RoHS Compliant

	PART NO. MP-F-1010		TOLERANCES ARE .X ± 0.2 .XX ± .XXX ± AWG	DESCRIPTION:			
	DWG NO. MP-F-1010						
焯倫股份有限公司	FILE NO.		DRAWING BY	AREA	REVISIONS	HK	DATE
	UNIT / mm	SCALE 1:1	PROJECTION				