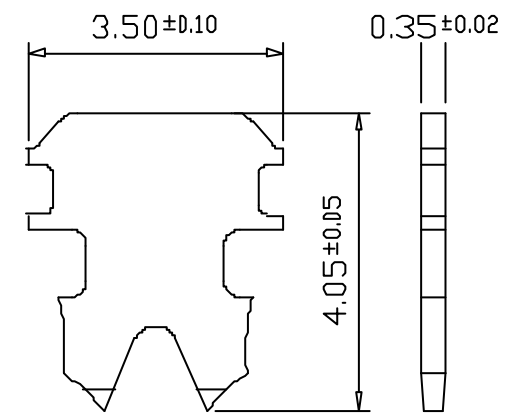
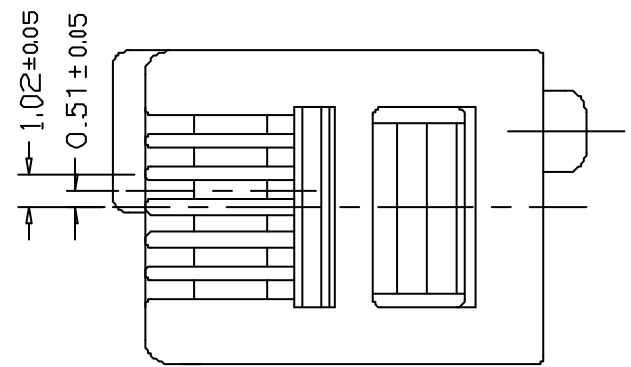


MP-F-0606D-LF
LEADFREE
RoHS Compliant



2 PRONGS FOR STRANDED WIRE
多芯線用二叉型金片

M MORETHANALL
CONNECTORS
ASSEMBLIES

煜倫股份有限公司

| | | | | | | | | |
|---------------------|-----------|---------------|--|--|--------------|-----------|----|------|
| PART NO. MP-F-0606D | | CHECKED BY CY | | TOLERANCES ARE .X ± 0.2 .XX ± .XXX ± AWG | DESCRIPTION: | | | |
| DWG NO. MP-F-0606D | | DRAWING BY | | | AREA | REVISIONS | HK | DATE |
| UNIT / mm | SCALE 1:1 | PROJECTION | | | | | | |