

* Poles:2 ~ 30

* Material: PA66+GF BLACK

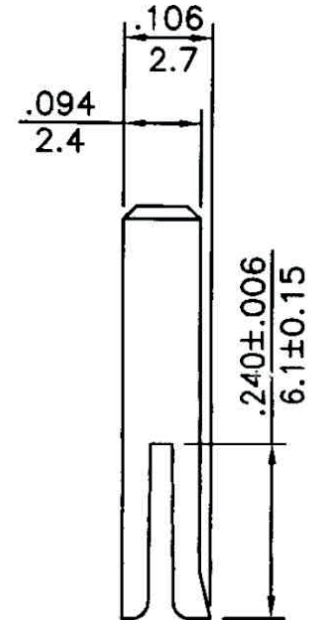
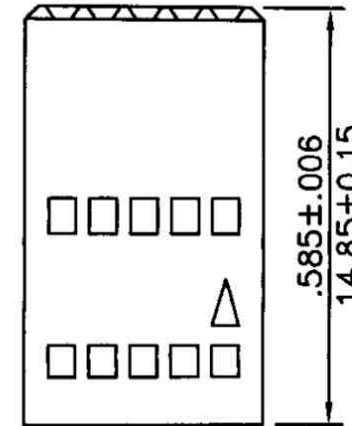
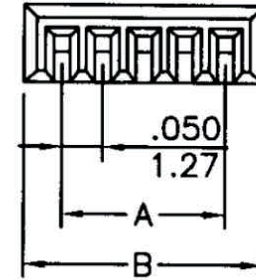
Specifications

* Current rating: 1A AC, DC

* Voltage rating: 100V AC, DC

* Temperature range: -25°C~+85°C

CIRCUITS	DIMENSION		CIRCUITS	DIMENSION	
	A	B		A	B
2	0.050(1.27)	0.142(3.61)	17	0.800(20.32)	0.892(22.66)
3	0.100(2.54)	0.192(4.88)	18	0.850(21.59)	0.942(23.93)
4	0.150(3.81)	0.242(6.15)	19	0.900(22.86)	0.992(25.20)
5	0.200(5.08)	0.292(7.42)	20	0.950(24.13)	1.042(26.47)
6	0.250(6.35)	0.342(8.69)	21	1.000(25.40)	1.092(27.74)
7	0.300(7.62)	0.392(9.96)	22	1.050(26.67)	1.142(29.01)
8	0.350(8.89)	0.442(11.23)	23	1.100(27.94)	1.192(30.28)
9	0.400(10.16)	0.492(12.50)	24	1.150(29.21)	1.242(31.55)
10	0.450(11.43)	0.542(13.77)	25	1.200(30.48)	1.292(32.82)
11	0.500(12.70)	0.592(15.04)	26	1.250(31.75)	1.342(34.09)
12	0.550(13.97)	0.642(16.31)	27	1.300(33.02)	1.392(35.36)
13	0.600(15.24)	0.692(17.58)	28	1.350(34.29)	1.442(36.63)
14	0.650(16.51)	0.742(18.85)	29	1.400(35.56)	1.492(37.90)
15	0.700(17.78)	0.792(20.12)	30	1.450(36.83)	1.542(39.17)
16	0.750(19.05)	0.842(21.39)			



RoHS Compliant

TOLERANCES ARE

MORETHANALL
PCB CONNECTORS
Cable ASSEMBLIES

煜倫股份有限公司

www.morethanall.com

DRAWING BY CY

CHECKED BY GENIUS

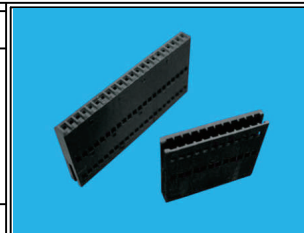
UNIT/mm SCALE 1:1

DATE

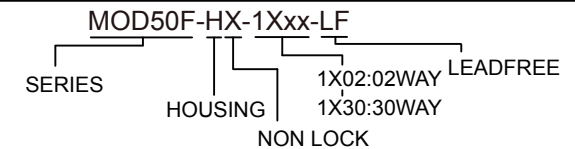
SIZE A4

X, ±
.X ±
.XX ±
.XXX ±
ANG ±

PJECTION



ORDER INFORMATION



DESCRIPTION: