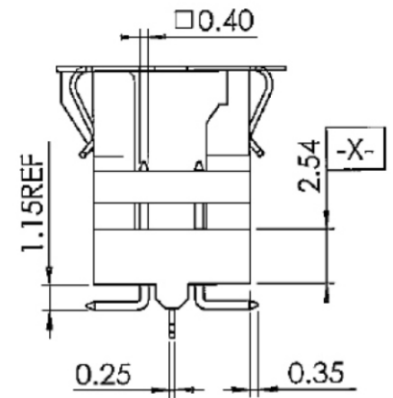
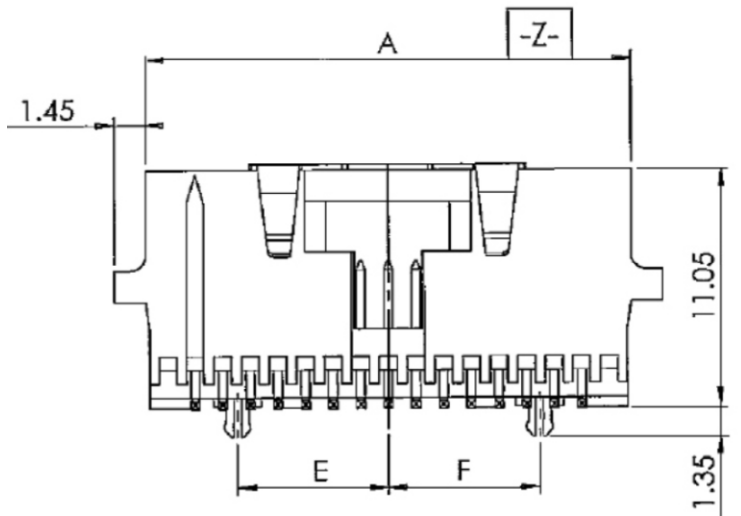


NOTES:  
 1.MATERIAL:  
 HOUSING:LCP.U194V-0  
 CONTACT:PHOSPHOR BRONZE  
 2.FINISH:  
 30u'GOLD IN LOCALIZED PLATE  
 AREA,150u'TIN/LEAD ON SOLDER  
 TAILS ALL OVER.50u'NICKEL.  
 3.COPLANARITY TO BE WITHIN 0.12mm



NO OF POSN	A	B	C	D	E	F	G
10	09.65	4	05.08	07.62	0.64	—	—
20	16.00	9	11.43	13.97	3.81	3.81	—
24	18.54	11	13.97	16.51	5.08	5.08	—
28	21.08	13	16.51	19.05	6.35	6.35	—
30	22.35	14	17.78	20.32	6.98	6.98	—
40	28.70	19	24.13	26.67	10.16	10.16	—
50	35.05	24	30.48	33.02	13.34	13.34	0.64
60	41.40	29	36.83	39.37	16.51	16.51	0.00
80	54.10	39	49.53	52.07	22.86	22.86	0.00
100	66.80	49	62.23	64.77	29.21	29.21	0.00

RoHS Compliant

TOLERANCES ARE

**MORETHANALL**  
 PCB CONNECTORS  
 Cable ASSEMBLIES

DRAWING BY CY

CHECKED BY GENIUS

UNIT / mm SCALE 1 : 1

DATE

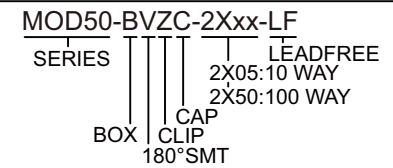
SIZE A4

X, ±  
 .X ±  
 .XX ±  
 .XXX ±  
 ANG ±

PPOJECTION

照片框

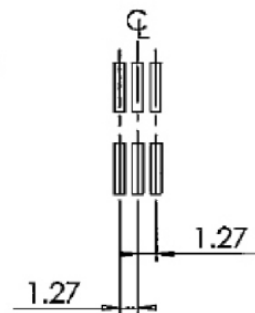
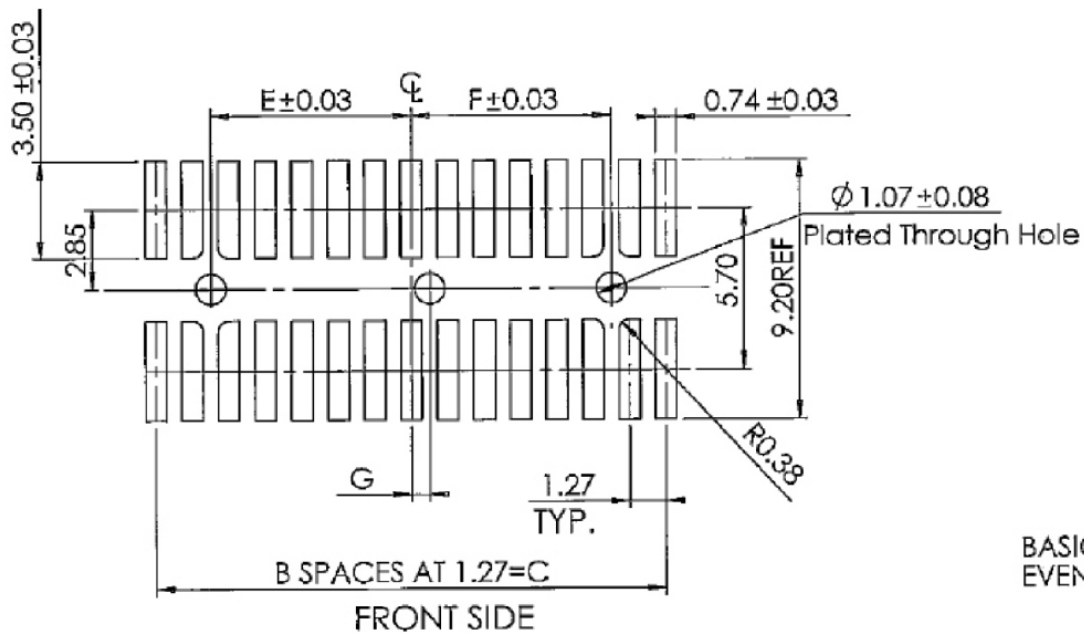
ORDER INFORMATION



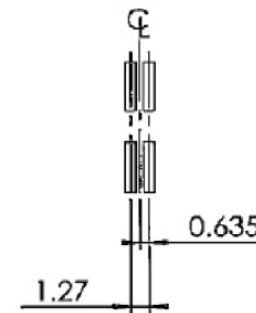
煜倫股份有限公司

www.morethanall.com

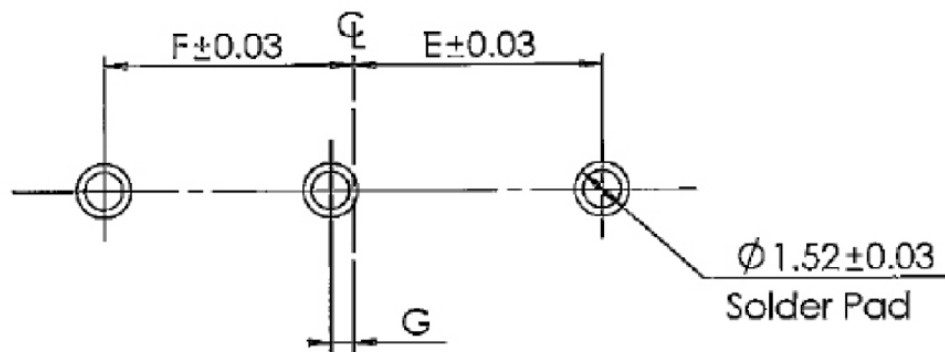
DESCRIPTION:



BASIC DIMENSIONS FOR  
EVEN NUMBER OF SPACES  
(SEE TABLE)



BASIC DIMENSIONS FOR  
ODD NUMBER OF SPACES  
(SEE TABLE)



BACK SIDE

RoHS Compliant

TOLERANCES ARE

**MORETHANALL**  
PCB CONNECTORS  
Cable ASSEMBLIES

DRAWING BY CY

CHECKED BY GENIUS

UNIT / mm SCALE 1 : 1

DATE

SIZE A4

X, ±  
.X ±  
.XX ±  
.XXX ±  
ANG ±

PPOJECTION

照片框

ORDER INFORMATION

MOD50-BVZC-xxx-LF

SERIES | | | | LEADFREE  
| | | | 010~100 WAY  
| | | | CAP  
| | | | CLIP  
| | | | 180°SMT  
| | | | BOX

煜倫股份有限公司

www.morethanall.com

DESCRIPTION: