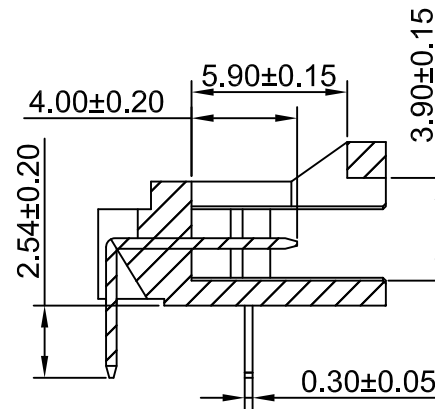
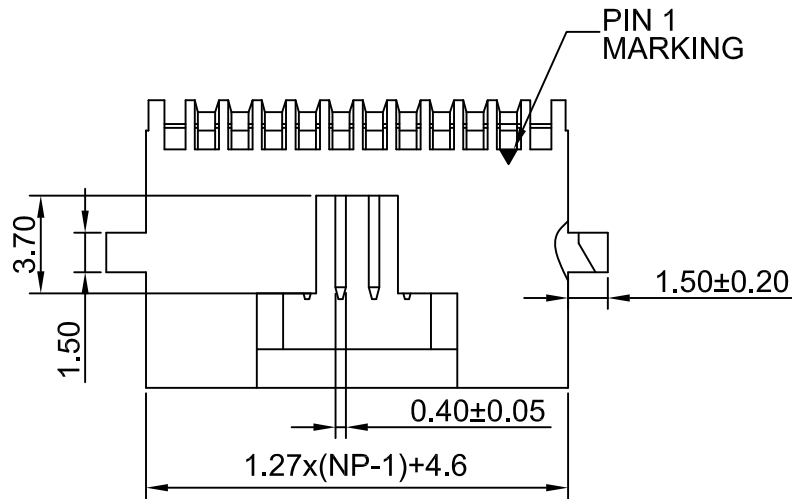
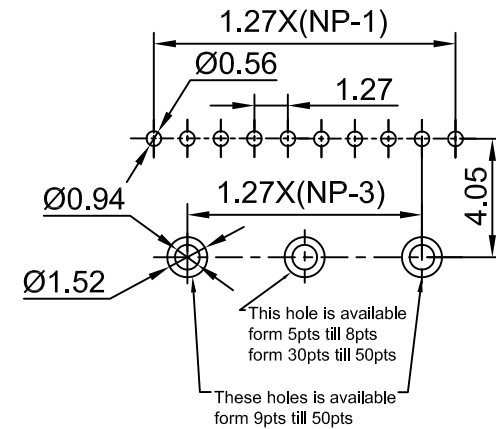


- ◆ SPECIFICATIONS
- CURRENT RATING: 1 AMP
- CONTACT RESISTANCE: 30 MΩ MAX
- INSULATION RESISTANCE: 1000 MΩ MIN
- WITHSTANDING VOLTAGE: 250V AC / DC
- ◆ ENVIRONMENTAL
- TEMPERATURE RANGE: -40°C~+105°C



SECTION A - A



P.C.B LAYOUT

RoHS Compliant

TOLERANCES ARE

**MORETHANALL**  
PCB CONNECTORS  
Cable ASSEMBLIES

DRAWING BY CY

X. ±

CHECKED BY GENIUS

.X ± 0.40

UNIT / mm

SCALE 1 : 1

.XX ± 0.25

DATE

.XXX ± 0.15

ANG ±

SIZE A4

PPOJECTION

照片框

ORDER INFORMATION

MOD50-BRM-1Xxx-LF

SERIES

LEADFREE

1X05:10 WAY

1X50:50 WAY

METAL FOOT

DIP 180°

BOX

煜倫股份有限公司

www.morethanall.com

DESCRIPTION: 1.27mm PITCH 90° SHROUDED HEADER