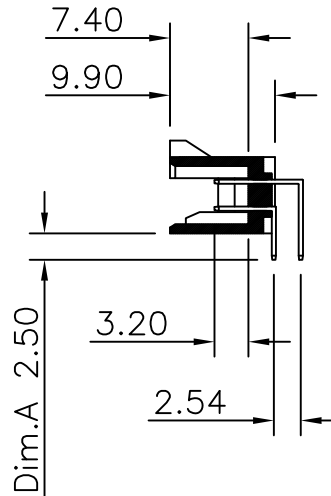
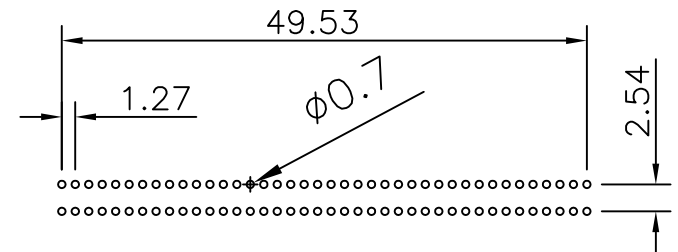


80 pin : 0.30 mm MAX.



Current Rating and Voltage: 1 Amps 250V AC (r.m.s)
 Insulator Resistance: 5000 Megohms min
 Contact Resistance: 20 m ohms max
 Dielectric Withstanding: 500 V AC
 Operating Temperature: - 40° ~ +125° C
 Max Processing Temp: 230° C for 60 seconds
 Max Processing Temp: 260° C for 10 seconds
 Contact Material: Copper Alloy
 Insulator Material: Polyester,UL 94V-0
 Standard: LCP
 Finish: Standard:Gold Flash all over

Recommended P.C. Board
 Hole Layout



RoHS Compliant

TOLERANCES ARE

MORETHANALL
 PCB CONNECTORS
 Cable ASSEMBLIES

DRAWING BY CY

CHECKED BY GENIUS

UNIT / mm

SCALE 1 : 1

DATE

SIZE A4

PPOJECTION

X. ±
 .X ± 0.30
 .XX ± 0.20
 .XXX ± 0.10
 ANG ±

照片框

ORDER INFORMATION

MOD50-BR-2X40-LF

SERIES | LEADFREE
 | 80 WAY
 | DIP 90°
 BOX

煜倫股份有限公司

www.morethanall.com

DESCRIPTION: