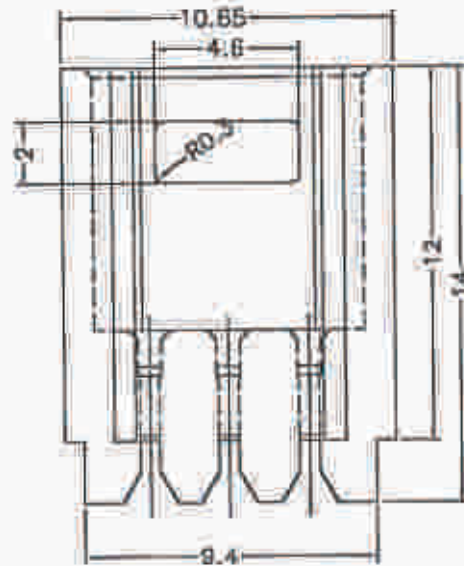
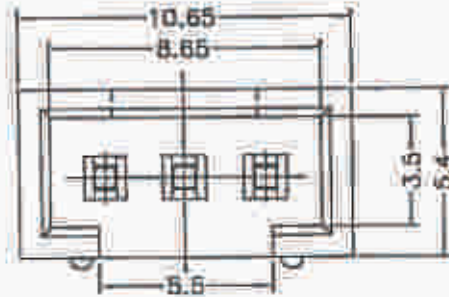


MATERIALS:
 BODY: HIGH TEMPERATURE POLYESTER RESIN UL94V-0
 COLOR IN BLACK
 CONTACT PINS: BRASS WITH 90U° GOLD OVER
 NICKEL PLATED ON CONTACT
 AREA AND 100U° TIN
 ON SOLDER AREA.

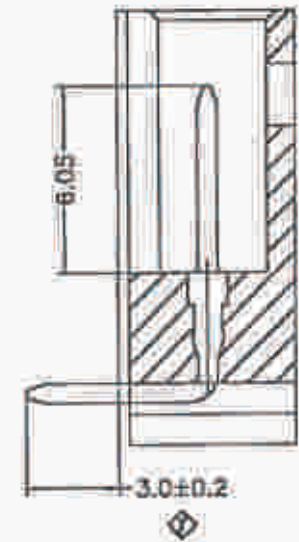
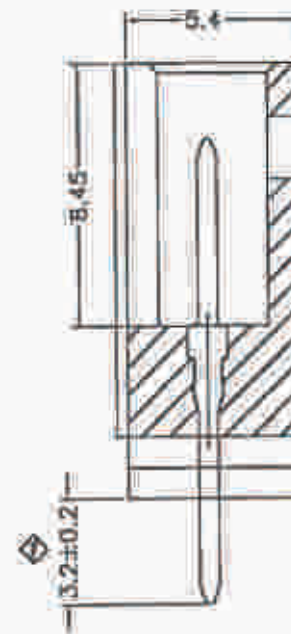
ELECTRICAL:
 INSULATION RESISTANCE: 5000 MEGOHMS MIN.
 DIELECTRIC WITHSTANDING VOLTAGE: 750 RMS AT
 SEA LEVEL.
 IMPEDANCE: 150+/-10 OHMS
 OPERATING TEMPERATURE: -65°C TO +105°C
 CURRENT RATING: 3 AMP

Recommended P.C.B Layout



Vertical
 Part NO. MOD-D-03

Right Angle
 Part NO. MOD-R-03



MOD-x-1X03-LF
 LEADFREE
 D: DIP 180°
 R: DIP 90°

RoHS Compliant

MORETHANALL
 CONNECTORS
 ASSEMBLIES

煜倫股份有限公司

PART NO. MOD-x-1X03		CHECKED BY CY		TOLERANCES ARE X.± .XX± .XXX± ANG		DESCRIPTION:		
DWG NO. MOD-x-1X03		DRAWING BY						
FILE NO.		PROJECTION		AREA	REVISIONS	DATE		
UNIT / mm	SCALE 1:1							