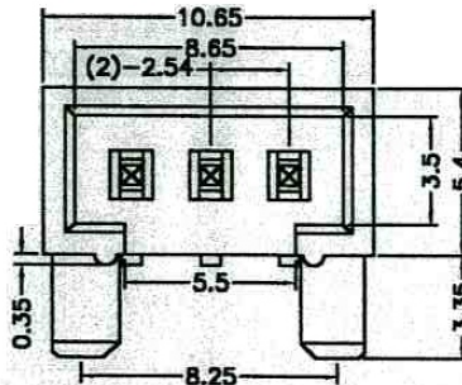


MATERIALS:

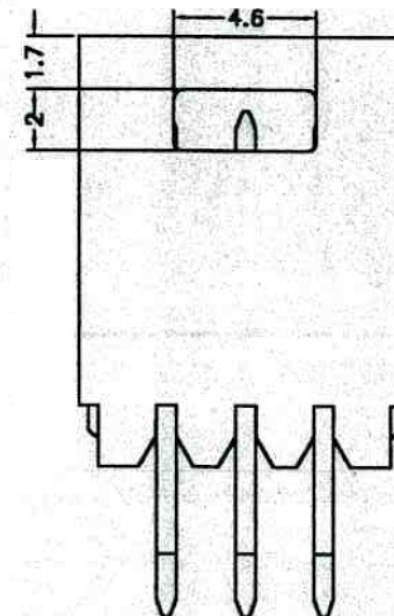
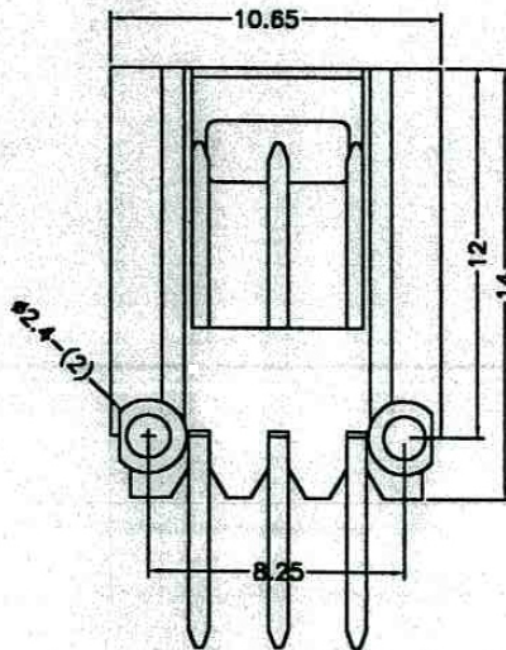
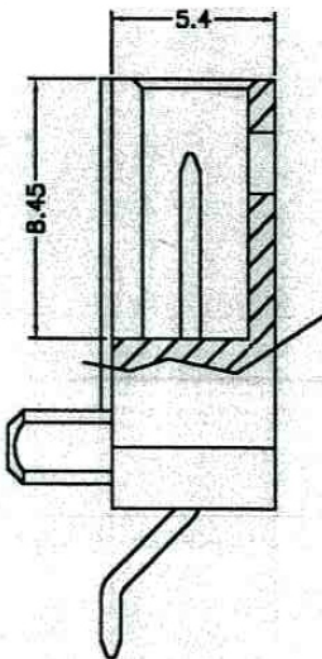
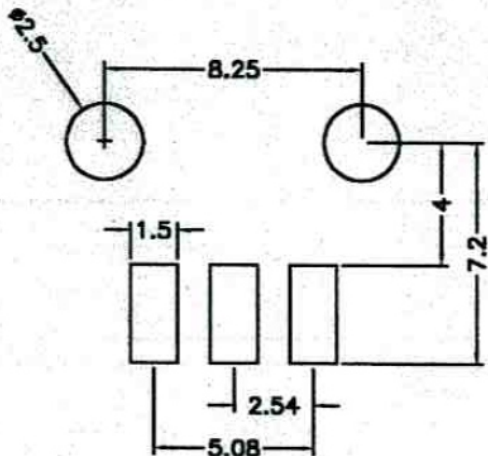
BODY: HIGH TEMPERATURE NYLON UL94V-0 COLOR IN BLACK
CONTACT PINS: BRASS WITH 30U" GOLD OVER NICKEL PLATED
ON CONTACT AREA AND 100U" TIN
ON SOLDER AREA.

ELECTRICAL:

INSULATION RESISTANCE: 5000 MEGOHMS MIN.
DIELECTRIC WITHSTANDING VOLTAGE: 760 RMS AT SEA LEVEL.
IMPEDANCE: 150+/-10 OHMS
OPERATING TEMPERATURE: -65°C TO +105°C
CURRENT RATING: 3 AMP



Recommended P.C.B Layout



MORETHANALL
 CONNECTORS
 ASSEMBLIES

焯倫股份有限公司

PART NO. MOD-WP-1X03
 DWG NO. MOD-WP-1X03
 FILE NO.
 UNIT / mm SCALE 1:1

RoHS Compliant

CHECKED BY CY
 DRAWING BY

PROJECTION

TOLERANCES ARE
 .X ± 0.2
 .XX ±
 .XXX ±
 AWG

DESCRIPTION:			
AREA	REVISIONS	HK	DATE