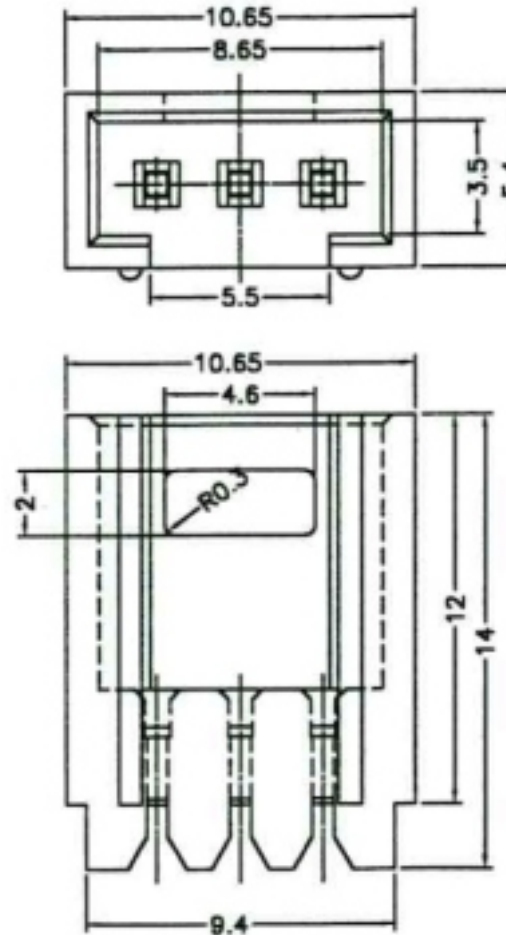


MATERIALS:

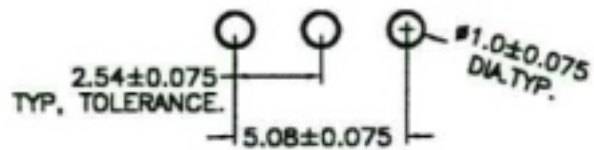
BODY: HIGH TEMPERATURE NYLON UL94V-0
 COLOR IN BLACK
 CONTACT PINS: BRASS WITH 30U" GOLD OVER
 NICKEL PLATED ON CONTACT
 AREA AND 100U" TIN
 ON SOLDER AREA.

ELECTRICAL:

INSULATION RESISTANCE: 5000 MEGOHMS MIN.
 DIELECTRIC WITHSTANDING VOLTAGE: 750 RMS AT
 SEA LEVEL.
 IMPEDANCE: 150+/-10 OHMS
 OPERATING TEMPERATURE: -65°C TO +105°C
 CURRENT RATING: 3 AMP



Recommended P.C.B Layout



RoHS Compliant

TOLERANCES ARE

MORETHANALL
 PCB CONNECTORS
 Cable ASSEMBLIES

煜倫股份有限公司

www.morethanall.com

DRAWING BY CY
 CHECKED BY GENIUS
 UNIT / mm SCALE 1:1
 DATE
 SIZE A4 PROJECTION

X ±
 .X ±
 .XX ±
 .XXX ±
 ANG ±

照片框

ORDER INFORMATION

MOD-RG-1X03-LF
 SERIES | LEADFREE
 | 03WAY
 | GOLD
 | DIP 90°

DESCRIPTION: