

MATERIALS:

BODY:HIGH TEMPERATURE NYLON UL94V-0
COLOR IN BLACK

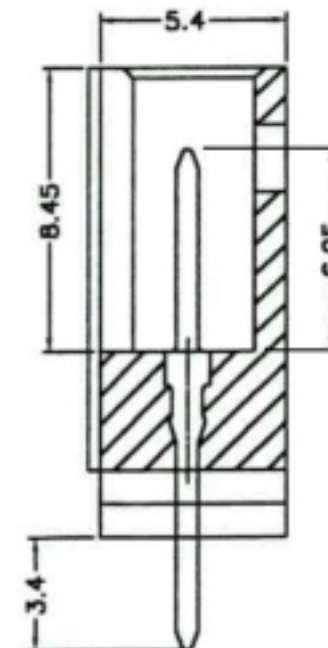
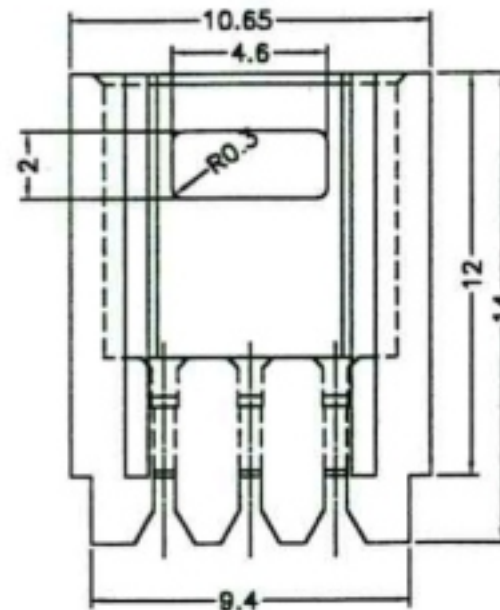
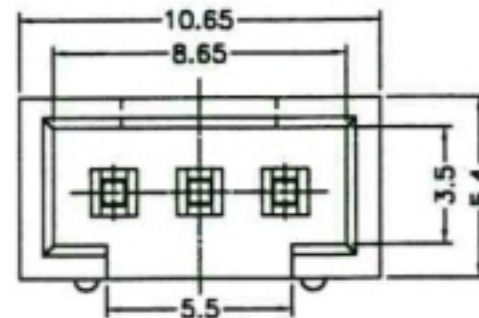
CONTACT PINS:BRASS WITH 30U" GOLD OVER
NICKEL PLATED ON CONTACT
AREA AND 100U" TIN
ON SOLDER AREA.

ELECTRICAL:

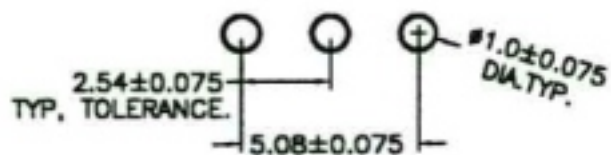
INSULATION RESISTANCE:5000 MEGOHMS MIN.
DIELECTRIC WITHSTANDING VOLTAGE:750 RMS AT
SEA LEVEL.

IMPEDANCE:150+/-10 OHMS

OPERATING TEMPERATURE: -55°C TO +105°C
CURRENT RATING:3 AMP



Recommended P.C.B Layout



RoHS Compliant

TOLERANCES ARE

MORETHANALL
PCB CONNECTORS
Cable ASSEMBLIES

煜倫股份有限公司

www.morethanall.com

DRAWING BY CY

CHECKED BY GENIUS

UNIT / mm SCALE 1 : 1

DATE

SIZE A4

X. ±

.X ±

.XX ±

.XXX ±

ANG ±

PJECTION

照片框

ORDER INFORMATION

MOD-DG-1X03-LF
SERIES | LEADFREE
| 03 WAY
| GOLD
DIP 180°

DESCRIPTION: