

Dimension Information:

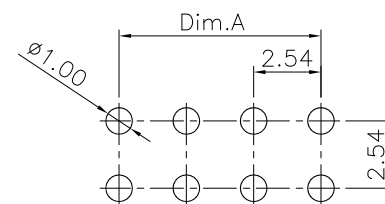
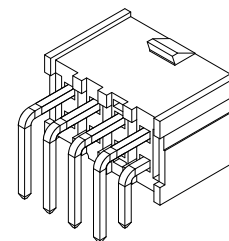
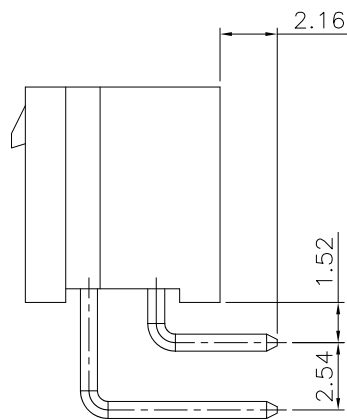
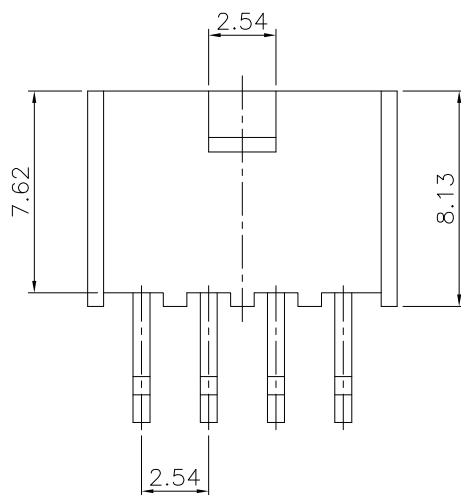
Pin.No	Dim.A	Dim.B	Pin.No	Dim.A	Dim.B
4	2.54	6.60	28	33.02	37.08
6	5.08	9.14	30	35.56	39.62
8	7.62	11.68	32	38.10	42.16
10	10.16	14.22	34	40.64	44.70
12	12.70	16.76	36	43.18	47.24
14	15.24	19.30	38	45.72	49.78
16	17.78	21.84	40	48.26	52.32
18	20.32	24.38	42	50.80	54.86
20	22.86	26.92	44	53.34	57.40
22	25.40	29.46	46	55.88	59.94
24	27.94	32.00	48	58.42	62.48
26	30.48	34.54	50	60.96	65.02

Specifications:

Current Rating: 3.0A AC,DC
 Voltage Rating: 675V AC,DC
 Contact Resistance: 20m ohm.Max
 Insulation Resistance: 1000M ohm.Min
 Withstanding Voltage: 1000V AC/Minute
 Operating Temperature Range: -55°C~+125°C

Material:

Insulator: LCP(UL94V-0)
 Insulator Color: Natural Or Black
 Contact: Copper Alloy
 Plated: Gold/Matte Tin Plated/Selective Gold Plated



P.C.B Layout

RoHS Compliant

TOLERANCES ARE

MORETHANALL
 PCB CONNECTORS
 Cable ASSEMBLIES

DRAWING BY CY

CHECKED BY GENIUS

UNIT / mm

SCALE 1 : 1

DATE

SIZE A4

X, ±
 .X ± 0.20
 .XX ± 0.15
 .XXX ±
 ANG ±

PPOJECTION

照片框

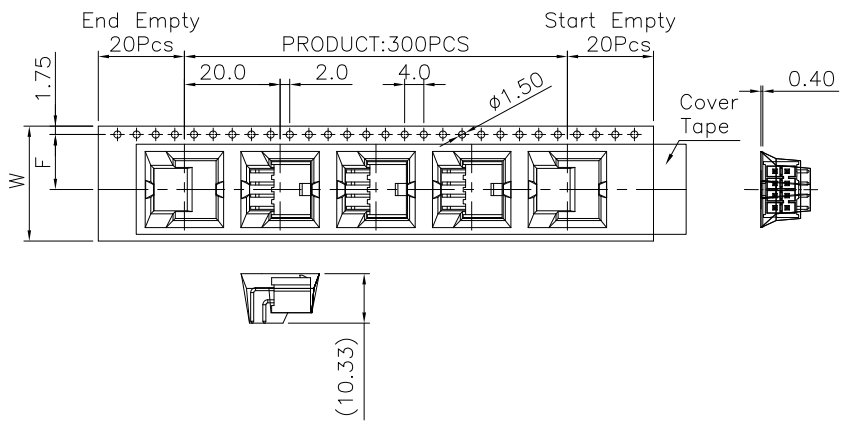
ORDER INFORMATION

MNM-PRXKR-2Xxx-LF
 SERIES | LEADFREE
 2X02:04WAY
 2X25:50WAY
 MALE REEL
 DIP 90° KEYWAY
 NON POST

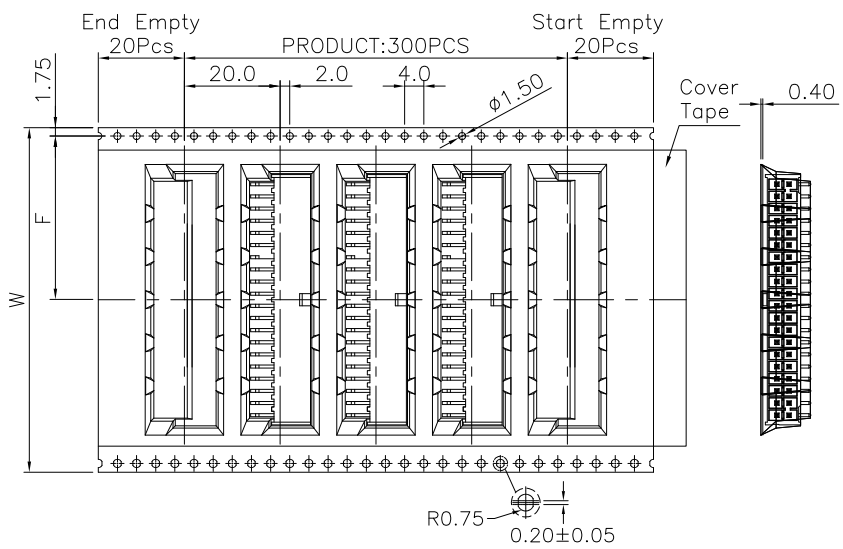
DESCRIPTION: 2.54mm Wire To Board Wafer Right angle Type

煜倫股份有限公司

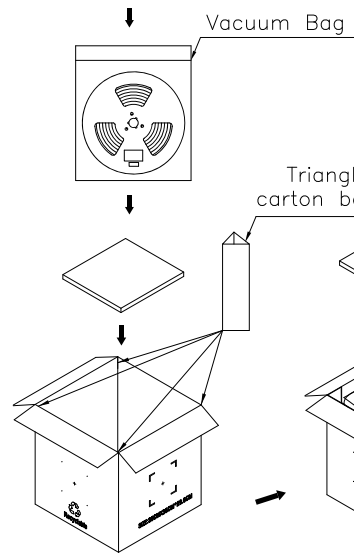
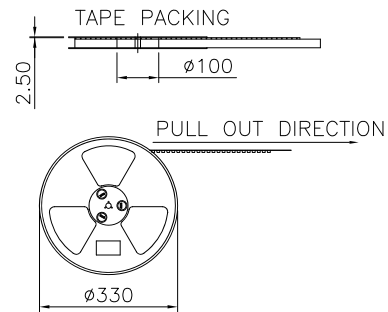
www.morethanall.com



For Reel width (dimension W)24mm Single row hole



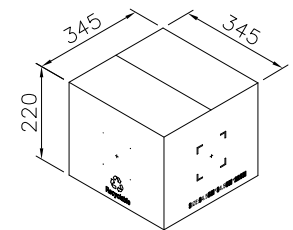
For Reel width (dimension W)32,44,56,72,88mm Double rows hole



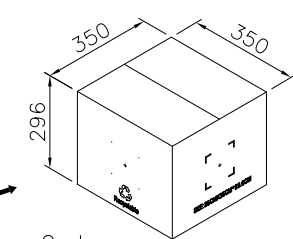
Note:

- 1.All dimensions meet EIA-481-3 requirements.
- 2.Material: Transparent Conductive Polystyrene Alloy 100% recyclable.
- 3.Thickness: 0.40±0.05mm
- 4.Component load per 13" reel :300Pcs.
- 5.Carton Size:350*350*296(mm) For 46~50P Use This Carton
Reel Size: 330(mm)
PE Bag Size: 0.2*450*500(mm)
Triangular partition Size:35*25.5(mm)
Partitions Size:330*330(mm)

Pin No	W	F	PCS/R	R/CTN	Q'TY
04-08	24	11.5	300	9	2700
10-12	32	14.2	300	7	2100
14-22	44	20.2	300	5	1500
24-32	56	26.2	300	4	1200
34-44	72	34.2	300	3	900
46-50	88	42.2	300	2	600



For 46~50P Use This Carton



Carton

RoHS Compliant

TOLERANCES ARE



煜倫股份有限公司

www.morethanall.com

DRAWING BY CY
CHECKED BY GENIUS
UNIT / mm SCALE 1 : 1
DATE
SIZE A4 PPROJECTION

X. ±
.X ± 0.20
.XX ± 0.15
.XXX ±
ANG ±

照片框

ORDER INFORMATION

MNM-PRXKR-2Xxx-LF
SERIES LEADFREE
2X02:04WAY
2X25:50WAY
MALE REEL
DIP 90° KEYWAY
NON POST

DESCRIPTION:2.54mm Wire To Board Wafer Right angle Type Packing List