

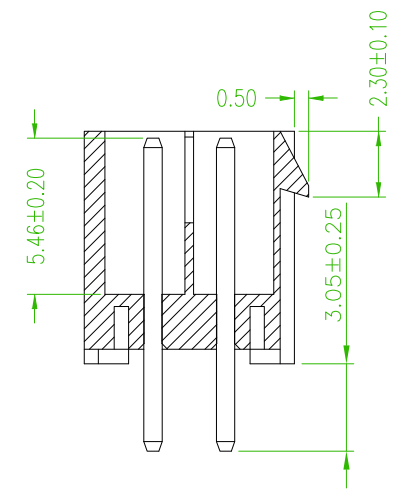
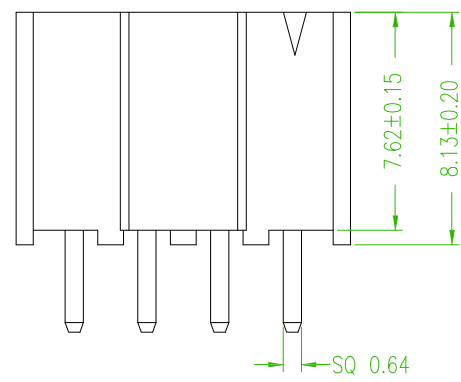
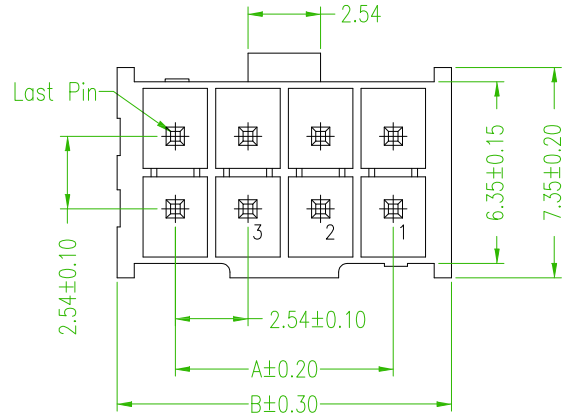
**SPECIFICATIONS**

Current Rating: 3A AC,DC  
 Contact Resistance: 20mΩ Max.  
 Insulation Resistance: 1000MΩ Min.  
 Withstand Voltage: 1000V AC/minute  
 Operation Temperature: -55°C to +125°C

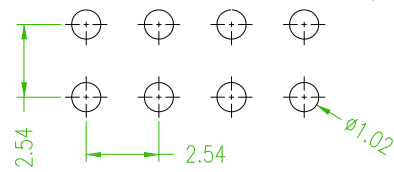
**MATERIAL**

Insulator:LCP+30%G.F,UL94V-0

No.of contacts	Dimensions	
	A	B
2x02	2.54	6.60
2x03	5.08	9.14
2x04	7.62	11.68
2x05	10.16	14.22
2x06	12.70	16.76
2x07	15.24	19.30
2x08	17.78	21.84
2x09	20.32	24.38
2x10	22.86	26.92
2x11	25.40	29.46
2x12	27.94	32.00
2x13	30.48	34.54
2x14	33.02	37.08
2x15	35.56	39.62
2x16	38.10	42.16
2x17	40.64	44.70
2x18	43.18	47.24
2x19	45.72	49.78
2x20	48.26	52.32
2x21	50.80	54.86
2x22	53.34	57.40
2x23	55.88	59.94
2x24	58.42	62.48
2x25	60.96	65.02



Recommended P.C.B Layout(Top Side)  
 (PCB BOARD TOLERANCE±0.05)



**RoHS Compliant**

TOLERANCES ARE

**MORETHANALL**  
 PCB CONNECTORS  
 Cable ASSEMBLIES

DRAWING BY CY

CHECKED BY GENIUS

UNIT / mm SCALE 1 : 1

DATE

SIZE A4

X, ±  
 .X ± 0.40  
 .XX ± 0.25  
 .XXX ±  
 ANG ±

PJECTION

照片框

**ORDER INFORMATION**

MNM-PDX-2Xxx-LF  
 SERIES LEADFREE  
 2X02:04WAY  
 2X25:50WAY  
 NON POST  
 DIP 180°  
 MALE

DESCRIPTION: 2.54mm WAFER Straight Type

煜倫股份有限公司

www.morethanall.com