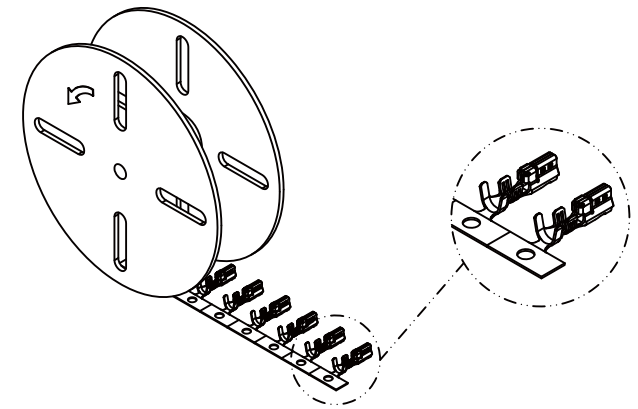
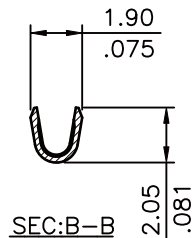
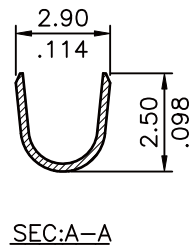
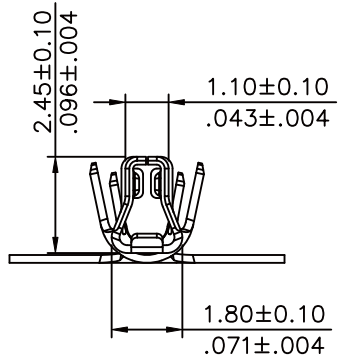
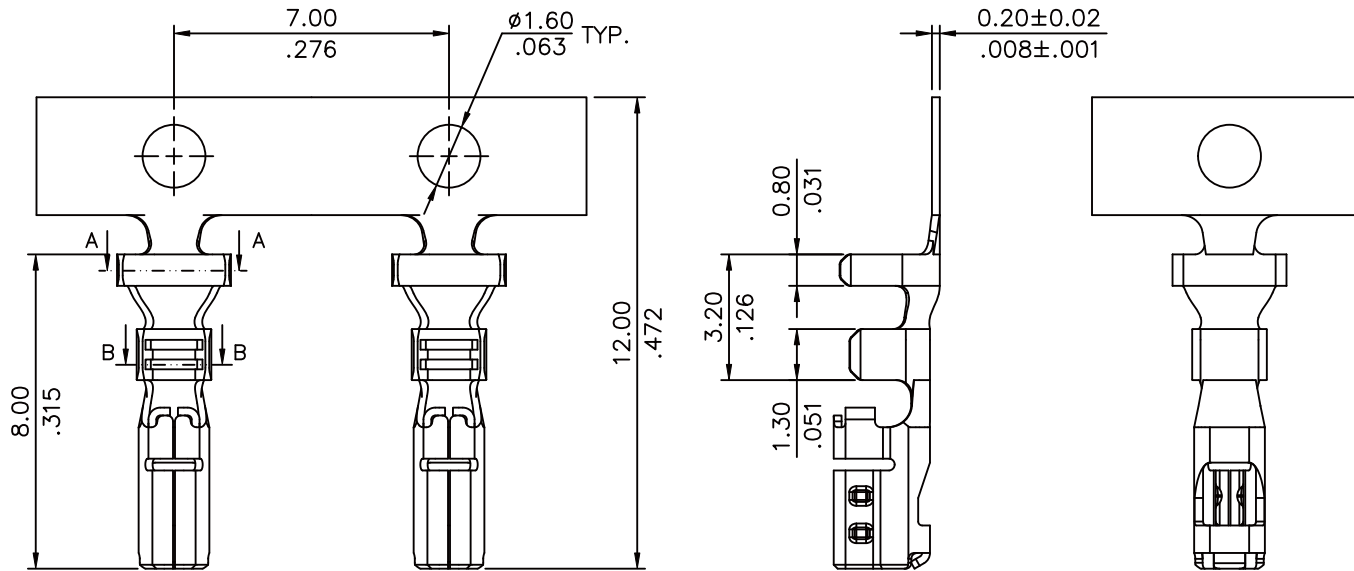


Wire Range	Insulation Diameter	Reel Q'ty
AWG #20~#22	1.50~1.80 (.059~.071)	10,000 PCS



Unwind direction

RoHS Compliant

TOLERANCES ARE

**MORETHANALL**  
PCB CONNECTORS  
Cable ASSEMBLIES

DRAWING BY CY

CHECKED BY GENIUS

UNIT / mm

SCALE 1 : 1

DATE

SIZE A4

PJECTION

X. ±  
.X ± 0.30  
.XX ± 0.20  
.XXX ± 0.10  
ANG ±

照片框

ORDER INFORMATION

MNL-T-20-LF  
SERIES | LEADFREE  
20-22 AWG  
TERMINAL

煜倫股份有限公司

www.morethanall.com

DESCRIPTION: CRIMP TERMINAL