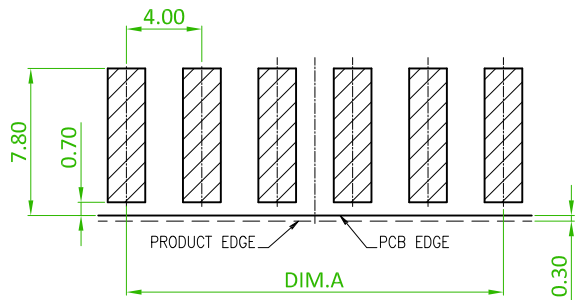


SPECIFICATIONS

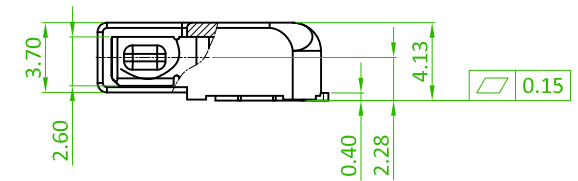
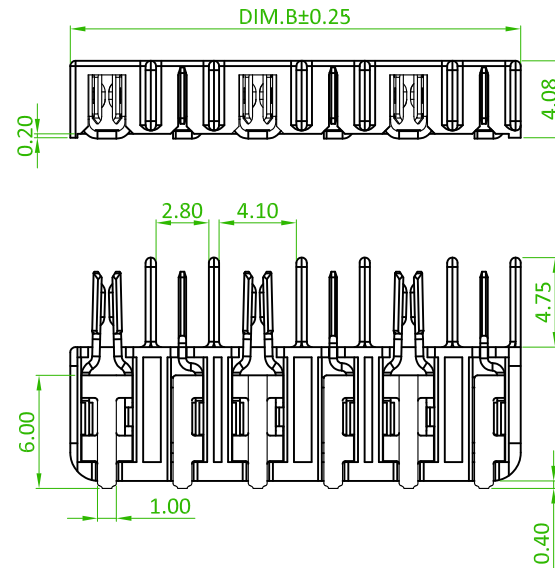
Rated Current : 6.0AMP.
 Contact Resistance:18mΩ Max.
 Withstand Voltage:1500V
 Insulation Resistance:1000MΩ Min.
 Operation temperature : -40°C to +105°C

MATERIAL

Housing: LCP+30%G.F,UL94V-0
 Contact:Phosphor Bronze



Recommended P.C.B Layout(Top Side)
 (PCB BOARD TOLERANCE±0.05)



No.Of PIN	DIM.A	DIM.B
02	4.00	7.90
04	12.00	15.90
06	20.00	23.90

RoHS Compliant

TOLERANCES ARE

MORETHANALL
 PCB CONNECTORS
 Cable ASSEMBLIES

DRAWING BY CY

X, ±
 .X ± 0.40
 .XX ± 0.25
 .XXX ± 0.10
 ANG ± 3°

CHECKED BY GENIUS

UNIT / mm SCALE 1 : 1

DATE

SIZE A4

PJECTION

照片框

ORDER INFORMATION

MN40-WXcc-xx-LF
 SERIES | | LEADFREE
 | | 02.04.06WAY
 BK:BLACK
 WH:WHITE
 NON POST
 90°SMT

DESCRIPTION: LED Pitch 4.0mm

煜倫股份有限公司

www.morethanall.com