

SPECIFICATIONS:

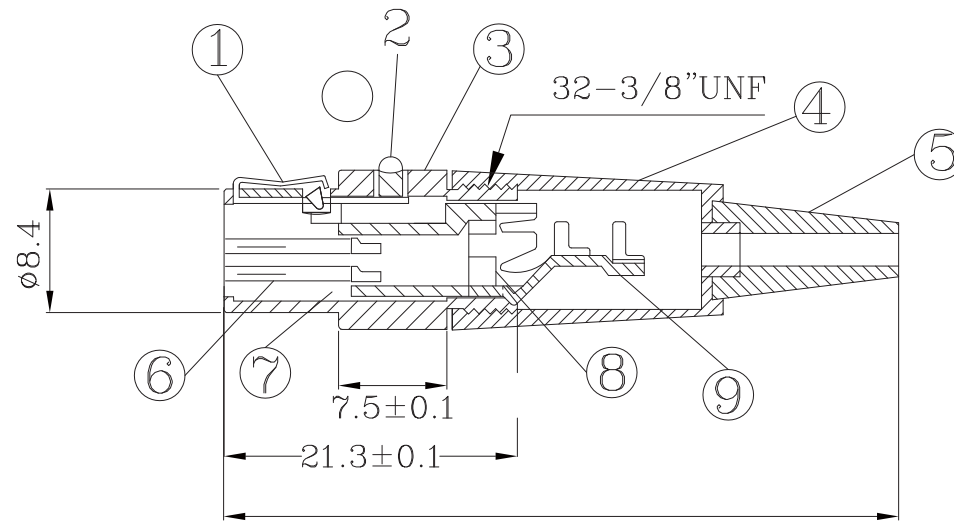
CONTACT RESISTANCE -  $< 3m\Omega$

INSULATION RESISTANCE -  $> 1G\Omega$

DIELECTRIC STRENGTH - 1500V/DC

LIFE TIME (MATING CYCLES)  $> 1000$

| MATERIAL |                     |
|----------|---------------------|
| 1        | SUS(AISI-301)       |
| 2        | ABS-BLACK           |
| 3        | BRASS-NICKEL PLATED |
| 4        | ABS-BLACK           |
| 5        | PVC MOLDING-BLACK   |
| 6        | BRASS-GOLD PLATED   |
| 7        | PPS-BLACK           |
| 8        | PPS-BLACK           |
| 9        | BRASS-NICKEL PLATED |



A-A SECTION

RoHS Compliant

TOLERANCES ARE

**MORETHANALL**  
PCB CONNECTORS  
Cable ASSEMBLIES

煜倫股份有限公司

www.morethanall.com

DRAWING BY CY

CHECKED BY GENIUS

UNIT / mm SCALE 1:1

DATE

SIZE A4

X, ±  
.X ±  
.XX ±  
.XXX ±  
ANG ±

PJECTION

照片框

ORDER INFORMATION

MMIC-SA-03-LF

SERIES | LEADFREE  
03 WAY  
ASSEMBLY  
FEMALE

DESCRIPTION: MINI CONNECTER 3P FEMALE