

Notes:

1. Tolerances: Decimal ± 0.13 , unless otherwise specified.
2. Part must conform to RoHS compliance
3. Plastic parts must conform to UL 94 V-0 compliant.

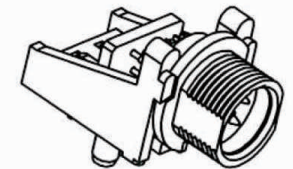
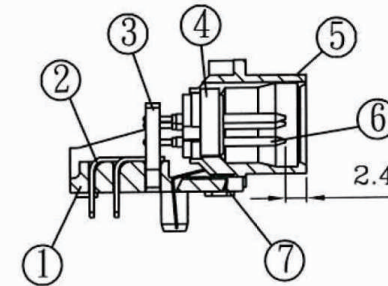
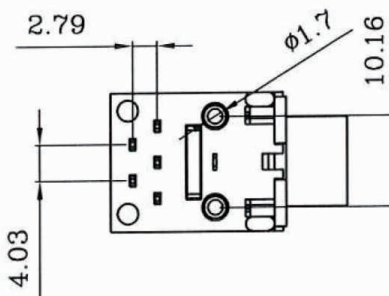
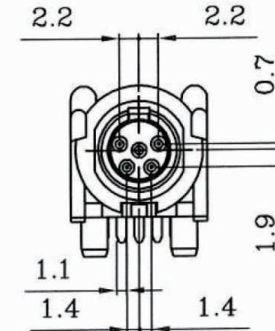
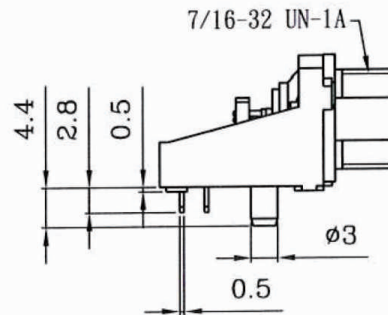
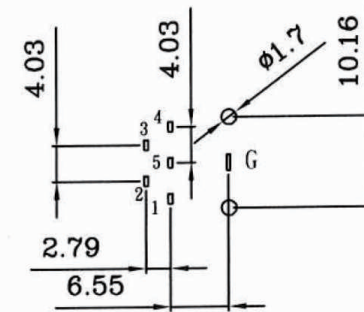
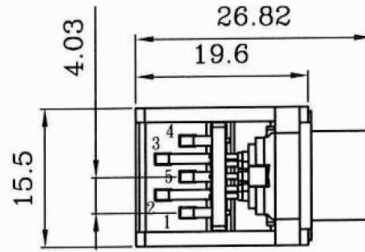
Specification:

Electrical

Contact resistance: < 0.01 ohm
 Insulation resistance: > 500 Megaohm
 Dielectric strength: 1000VDC
 Rated current: 5A

Mechanical

Lifetime: Insert & withdraw > 5000 cycle
 Insertion 6.1 lb/withdrawal 5.6 lb Max.



7	Ground	SUS 301/Tin Plating	1
6	Contact	Brass/Gold Plating	5
5	Housing	C3604/Nickel Plating	1
4	Contact	PPS/BLACK, UL 94 V-0	1
3	PCB		1
2	Pin	Brass/Gold Plating	5
1	Chassis	UL 94 V-0	1
	Part Name	Material	Qty.

RoHS Compliant

TOLERANCES ARE

MORETHANALL
 PCB CONNECTORS
 Cable ASSEMBLIES

DRAWING BY CY

CHECKED BY GENIUS

UNIT / mm

SCALE 1 : 1

DATE

SIZE A4

X. \pm
 .X \pm
 .XX \pm
 .XXX \pm
 ANG \pm

P PROJECTION

照片框

ORDER INFORMATION

MMIC-PRPB-05-LF
 SERIES | | | | | LEADFREE
 | | | | | 05 WAY
 | | | | | BACK
 | | | | | PANEL
 | | | | | DIP 90°
 | | | | | MALE

DESCRIPTION: RIGHT ANGLE F FEMALE P.C MOUNT

煜倫股份有限公司

www.morethanall.com