

Notes:

1. Tolerances: Decimal ± 0.13 , unless otherwise specified.
 2. Part must conform to RoHS compliance
 3. Plastic parts must conform to UL 94 V-0 compliant.
- Specification:

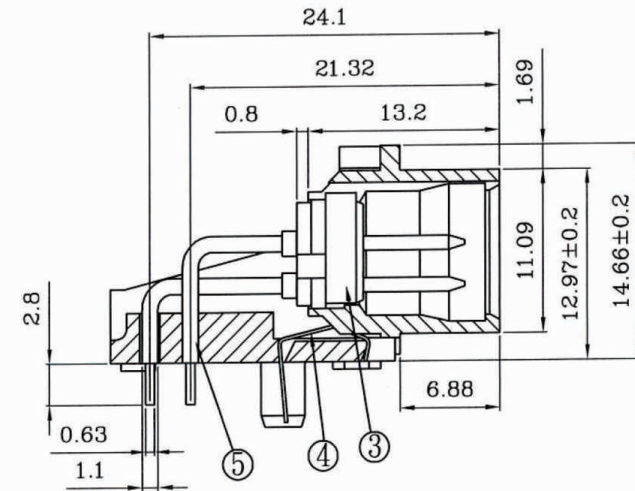
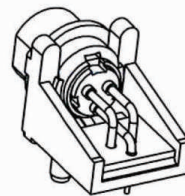
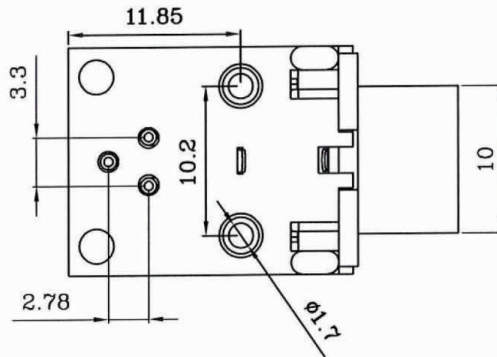
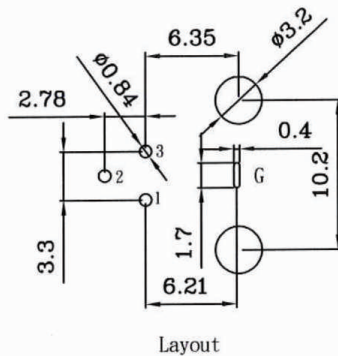
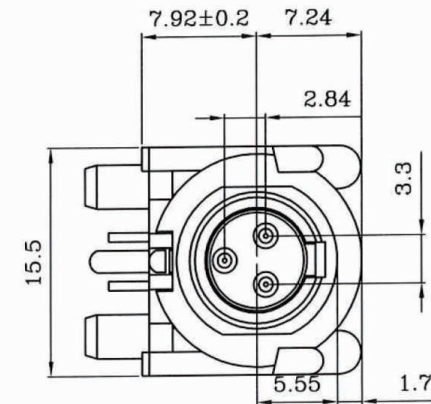
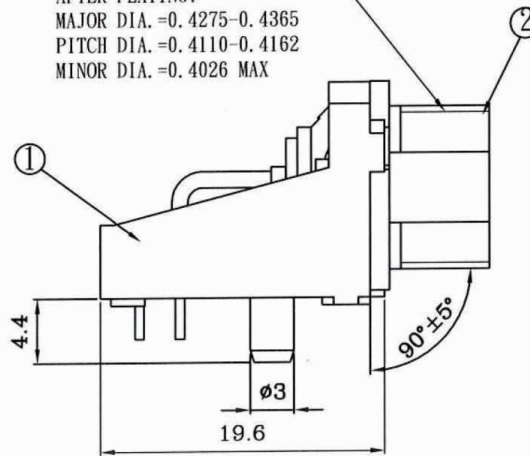
Electrical

Contact resistance: < 0.01 ohm
 Insulation resistance: > 500 Megaohm
 Dielectric strength: 1000VDC
 Rated current: 5A

Mechanical

Lifetime: Insert & withdraw > 5000 cycle
 Insertion/withdrawal force: Insert 6.11b/ withdraw 5.61b Max.

7/16-32 UNS-2A
 AFTER PLATING:
 MAJOR DIA. = 0.4275-0.4365
 PITCH DIA. = 0.4110-0.4162
 MINOR DIA. = 0.4026 MAX



RoHS Compliant

TOLERANCES ARE

MORETHANALL
 PCB CONNECTORS
 Cable ASSEMBLIES

煜倫股份有限公司

www.morethanall.com

DRAWING BY CY
 CHECKED BY GENIUS
 UNIT / mm SCALE 1:1
 DATE
 SIZE A4 PPROJECTION

X. \pm
 .X \pm
 .XX \pm
 .XXX \pm
 ANG \pm

照片框

ORDER INFORMATION

MMIC-PRPB-03-LF
 SERIES | | | LEADFREE
 | | | 03 WAY
 | | | BACK
 | | | PANEL
 | | | DIP 90°
 | | | MALE

DESCRIPTION: RIGHT ANGLE F FEMALE P.C MOUNT