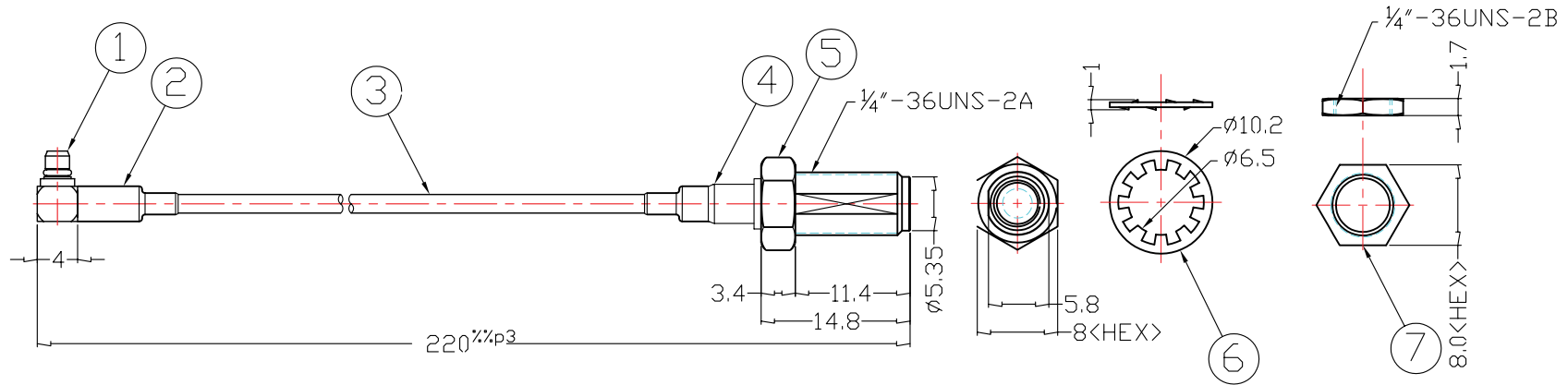


### B.O.M

Item	Name	Spec.	Material	Qty.	Surface	Note.
1	MMCX Connector	Male /A	Brass	1	Au.	
2	Heat shrinking sleeve	φ 4x15L	P.V.C	1		
3	Cable	RG-174		1		
4	Heat shrinking sleeve	φ 4x15L	P.V.C	1		
5	SMA Connector	Female	Brass	1	Au.	
6	Washer	φ 10.2x1.0T	Brass	1	Au.	
7	Nut	8mmHexhead	Brass	1	Au.	



尺寸公差	B	C	D	E	角度公差	±3°	
1.0	±0.025	±0.05	±0.1	±0.25	Angular	±3°	
1.0-2.0	±0.03	±0.06	±0.13	±0.3	Tolerance		
2.0-4.0	±0.04	±0.08	±0.16	±0.4			
4.0-8.0	±0.05	±0.1	±0.2	±0.5		100 ↓	±0.8
8.0-16	±0.06	±0.13	±0.25	±0.6			
16-31.5	±0.08	±0.16	±0.3	±0.8		50-100	±0.5
31.5-50	±0.1	±0.2	±0.4	±1.0			
50-125	±0.13	±0.25	±0.5	±1.25	5-50	±0.3	
125-250	±0.16	±0.3	±0.6	±1.6			
250-500	±0.2	±0.4	±0.8	±2.0	5 ↓	±0.2	
500	±0.25	±0.5	±1.0	±2.5			

RoHS Compliant

TOLERANCES ARE

**MORETHANALL**  
PCB CONNECTORS  
Cable ASSEMBLIES

煜倫股份有限公司

www.morethanall.com

DRAWING BY CY

CHECKED BY GENIUS

UNIT/ mm SCALE 1:1

DATE

SIZE A4

P PROJECTION

X. ±  
.X ±  
.XX ±  
.XXX ±  
ANG ±

照片框

ORDER INFORMATION

MMCXSMA-1R1S174-E22C-LF

SERIES

LEADFREE

220mm  
MALE TO FEMALE

RG174

RT/ST

DESCRIPTION: