

MATERIALS

HOUSING: TEFLON (UL 94V-0), WHITE
 SHELL: COPPER ALLOY, GOLD PLATING
 TERMINAL: COPPER ALLOY, GOLD PLATED

SPECIFICATION

IMPEDANCE: 50 OHM
 WORKING FREQUENCY: DC ~ 6 GHz
 DIELECTRIC WITHSTANDING: 500V AC FOR ONE MINUTE
 INSULATION RESISTANCE: 1000M OHMS MIN AT DC 500V
 OPERATION TEMPERATURE: -55°C~+125°C

RoHS Compliant

TOLERANCES ARE



煜倫股份有限公司

www.morethanall.com

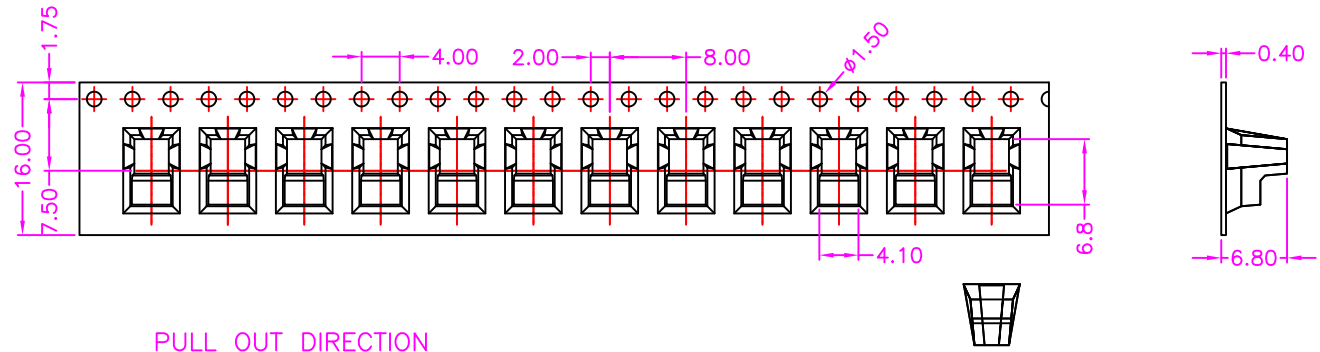
DRAWING BY CY		X. ± 0.40
CHECKED BY GENIUS		.X ± 0.30
UNIT / mm	SCALE 1 : 1	.XX ± 0.20
DATE		.XXX ± 0.10
SIZE A4	PJECTION	ANG ±

照片框

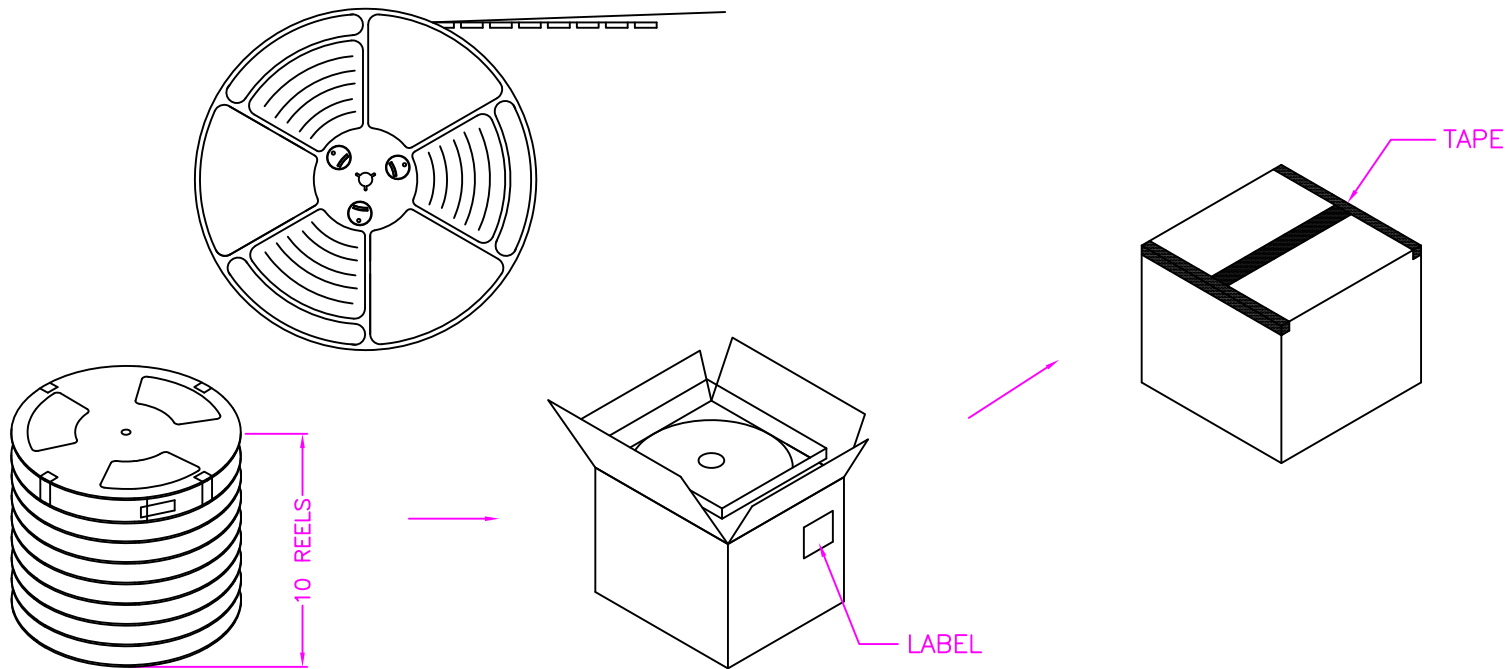
ORDER INFORMATION

MMCX-JRR-50-LF
 SERIES REEL 90°SMT JACK
 LEADFREE
 50 OHM

DESCRIPTION: MMCX, PCB MOUNT, R/A, WITH POST, 50 OHM, FEMALE



PULL OUT DIRECTION



NOTE: 1200PCS/ REEL, 12000PCS/ 10 REEL/ CARTON

RoHS Compliant

TOLERANCES ARE

MORETHANALL
PCB CONNECTORS
Cable ASSEMBLIES

DRAWING BY CY

X. ± 0.40

CHECKED BY GENIUS

.X ± 0.30

UNIT / mm

SCALE 1 : 1

.XX ± 0.20

DATE

.XXX ± 0.10

ANG ±

照片框

ORDER INFORMATION

MMCX-JRR-50-LF

SERIES | | | LEADFREE
50 OHM
REEL
90°SMT
JACK

煜倫股份有限公司

www.morethanall.com

SIZE A4

PJECTION

DESCRIPTION: MMCX, PCB MOUNT, R/A, WITH POST, 50 OHM, FEMALE