

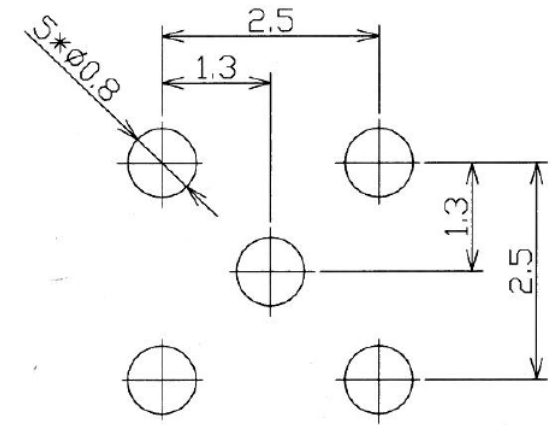
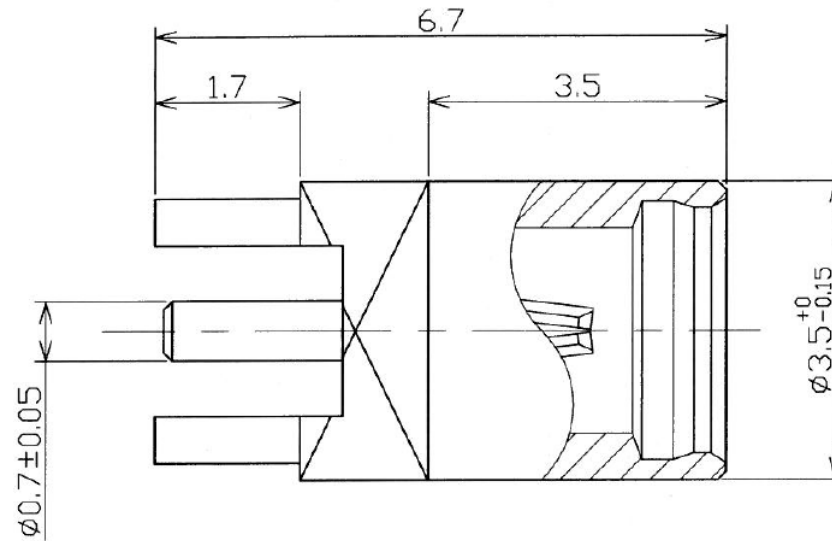
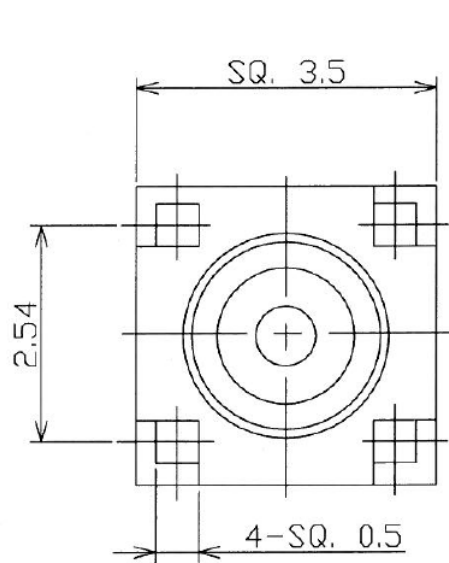
NOTES: TYPICAL SPECIFICATIONS

1.0. ELECTRICAL DATA

- 1.1. FREQUENCY RANGE ---- DC ... 6 GHz
- 1.2. IMPEDANC ---- 50 Ohms
- 1.3. VSWR ---- < 1.5
- 1.4. DIELECTRIC WITHSTANDING VOLTAGE ---- 500 Vrms
- 1.5. INSULATION RESISTANCE ---- 1000 Mega-Ohms
- 1.6. CENTER CONTACT RESISTANCE ---- 10.0 mini-Ohms
- 1.7. OUTER CONTACT RESISTANCE ---- 6.0 mini-Ohms

2.0. MECHANICAL DATA

- 2.1. COUPLING METHOD ---- SNAP-ON
- 2.2. DURABILITY (MATING/UNMATING) ---- 500 Cycles
- 2.3. ENGAGEMENT FORCE ---- 1.8 kgf max.
- 2.4. DISENGAGEMENT FORCE ---- 0.6 to 1.8 kgf
- 2.5. TEMPERATURE RANGE ---- -55° to 155°



PCB LAYOUT

3	FEMALE INSULATOR	TEFLON		1
2	FEMALE CONDUCTOR	Phosphor Bronze	GOLD	1
1	JACK BODY	BRASS	GOLD	1
ITEM	ITEM NAME	MATERIAL	FINISH	Q'TY/EA

RoHS Compliant

TOLERANCES ARE

MORETHANALL
PCB CONNECTORS
Cable ASSEMBLIES

DRAWING BY CY

CHECKED BY GENIUS

UNIT / mm

SCALE 1 : 1

DATE

SIZE A4

X, ±

.X ±

.XX ±

.XXX ±

ANG ±

PJECTION

照片框

ORDER INFORMATION

MMCX-JDL067-50-LF

SERIES | | | LEADFREE
| | | 50 OHM
| | | LONG 6.7mm
DIP 180°
JACK

煜倫股份有限公司

www.morethanall.com

DESCRIPTION: