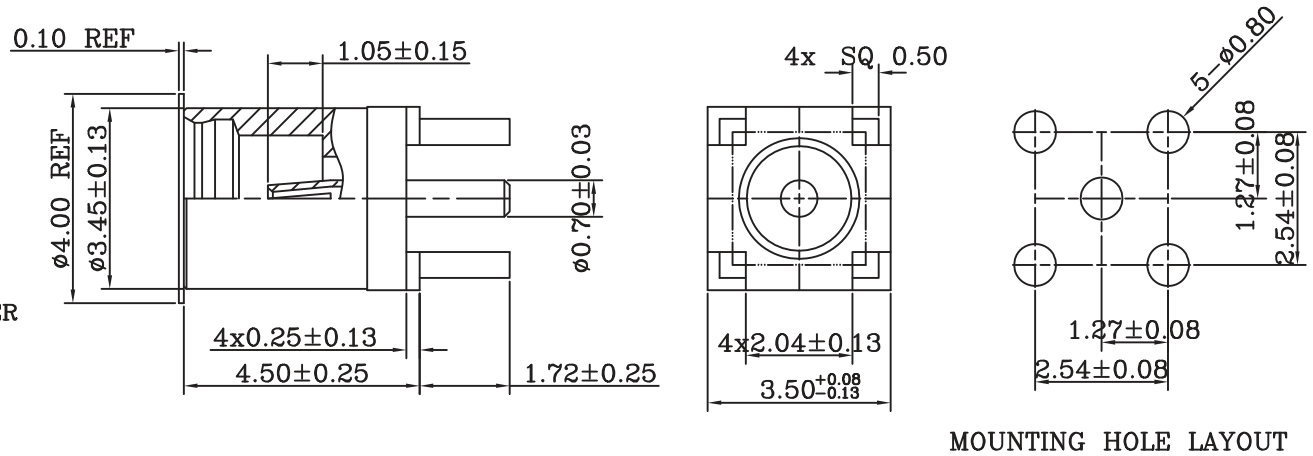


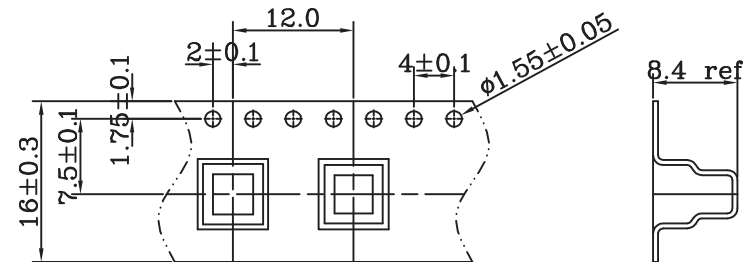
NOTES:
1.SPECIFICATIONS:

IMPEDANCE:50 OHMS
 FREQUENCY RANCE:0-6 GHz
 VSWR: NOT APPLICABLE
 WORKING VOLTAGE:170 VRMS MAX AT SEA LEVEL
 DIELECTRIC WITHSTANDING VOLTAGE:
 500 VRMS MIN AT SEA LEVEL
 INSULATION RESISTANCE: 1000 MEGOHM MIN
 CONTACT RESISTANCE:
 CENTER CONTACT - INITIAL 5.0 MILLIOHM MAX, AFTER
 ENVIRONMENTAL B.0 MILLIOHM MAX
 OUTER CONDUCTOR - GOLD PLATED
 INITIAL 1 MILLIOHM MAX, AFTER
 ENVIRONMENTAL 1.5 MILLIOHM MAX
 NICKEL PLATED INITIAL 2.5 ,O;;OPJ, ,AX, AFTER
 ENVIRONMENTAL 3.5 MILLIOHM MAX
 BRAID TO BODY - NOT APPLICABLE
 CORONA LEVEL: 190 VOLTS MINIMUM AT 70000 FEET
 INSERTION LOSS::NOT APPLICABLE
 RF LEAKAGE:NOT APPLICABLE
 RF HIGH POTENTIAL WITHSTANDING
 VOLTAGE:400 VRMS AT 4 AND 7 MHZ



MOUNTING HOLE LAYOUT

4	CONTACT PIN	Be,Cu	1	GOLD PLATED
3	INSULATOR	TEFLON	1	WHITE
2	BODY	BRASS	1	GOLD PLATED
1	CAP	KAPTON	1	NATURAL
ITEM	DESCRIPTION	MATERIAL	Q'TY	FINISHED



TAPE AND REEL PACKAGING

RoHS Compliant

TOLERANCES ARE

MORETHANALL
 PCB CONNECTORS
 Cable ASSEMBLIES

DRAWING BY CY
 CHECKED BY GENIUS
 UNIT / mm SCALE 1 : 1
 DATE

0.5-15 = ±0.15
 15-30 = ±0.30
 30-120 = ±0.60
 >120 = ±1.00
 ANGLES
 ±5°

照片框

ORDER INFORMATION

MMCX-JDL062CR-50-LF

SERIES JACK
 LEADFREE
 50 OHM
 REEL
 MYLAR
 LONG 6.2mm
 DIP 180°

煜倫股份有限公司

www.morethanall.com

SIZE A4 PROJECTION

DESCRIPTION: MMCX STRAIGHT RECEPTACLE JACK