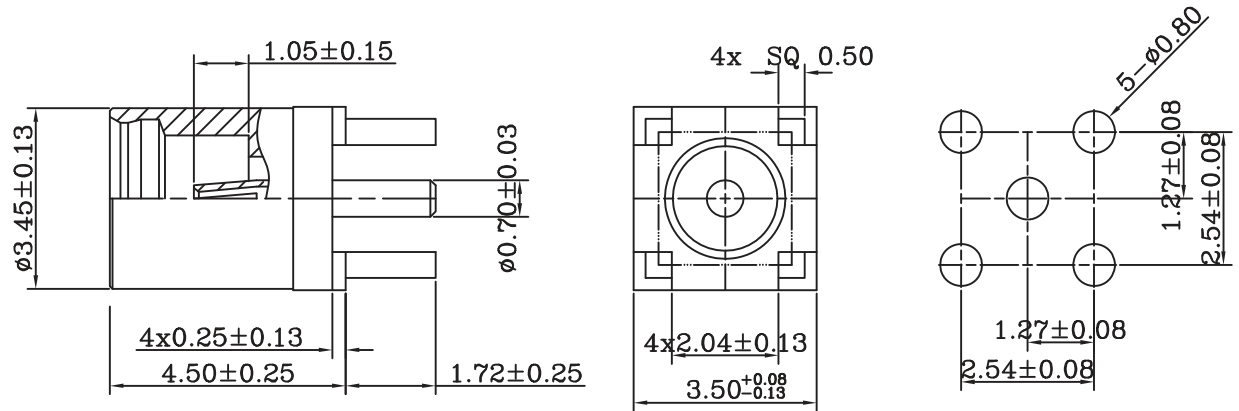


NOTES:
1.SPECIFICATIONS:

IMPEDANCE:50 OHMS
 FREQUENCY RANCE:0-6 GHz
 VSWR: NOT APPLICABLE
 WORKING VOLTAGE:170 VRMS MAX AT SEA LEVEL
 DIELECTRIC WITHSTANDING VOLTAGE:
 500 VRMS MIN AT SEA LEVEL
 INSULATION RESISTANCE: 1000 MEGOHM MIN
 CONTACT RESISTANCE:
 CENTER CONTACT - INITIAL 5.0 MILLIOHM MAX, AFTER
 ENVIRONMENTAL B.0 MILLIOHM MAX
 OUTER CONDUCTOR - GOLD PLATED
 INITIAL 1 MILLIOHM MAX, AFTER
 ENVIRONMENTAL 1.5 MILLIOHM MAX
 NICKEL PLATED INITIAL 2.5 ,O;;OPJ, ,AX, AFTER
 ENVIRONMENTAL 3.5 MILLIOHM MAX
 BRAID TO BODY - NOT APPLICABLE
 CORONA LEVEL: 190 VOLTS MINIMUM AT 70000 FEET
 INSERTION LOSS::NOT APPLICABLE
 RF LEAKAGE:NOT APPLICABLE
 RF HIGH POTENTIAL WITHSTANDING
 VOLTAGE:400 VRMS AT 4 AND 7 MHZ



MOUNTING HOLE LAYOUT

ITEM	DESCRIPTION	MATERIAL	Q'TY	FINISHED
3	CONTACT PIN	Be,Cu	1	GOLD PLATED
2	INSULATOR	TEFLON	1	WHITE
1	BODY	BRASS	1	GOLD PLATED

RoHS Compliant

TOLERANCES ARE

MORETHANALL
PCB CONNECTORS
Cable ASSEMBLIES

DRAWING BY CY

CHECKED BY GENIUS

UNIT / mm

SCALE 1 : 1

DATE

SIZE A4

PPOJECTION

0.5-15 = ± 0.15
 15-30 = ± 0.30
 30-120 = ± 0.60
 >120 = ± 1.00

ANGLES
 $\pm 5^\circ$

照片框

ORDER INFORMATION

MMCX-JDL062-50-LF

SERIES | | | LEADFREE
 | | | 50 OHM
 | | | LONG 6.2mm
 | | | DIP 180°
 | | | JACK

煜倫股份有限公司

www.morethanall.com

DESCRIPTION: MMCX STRAIGHT RECEPTACLE JACK