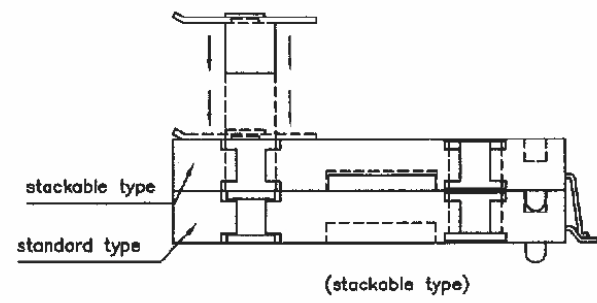
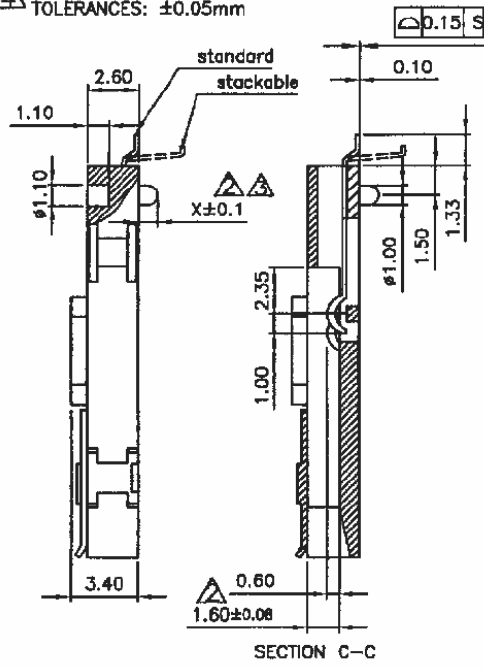
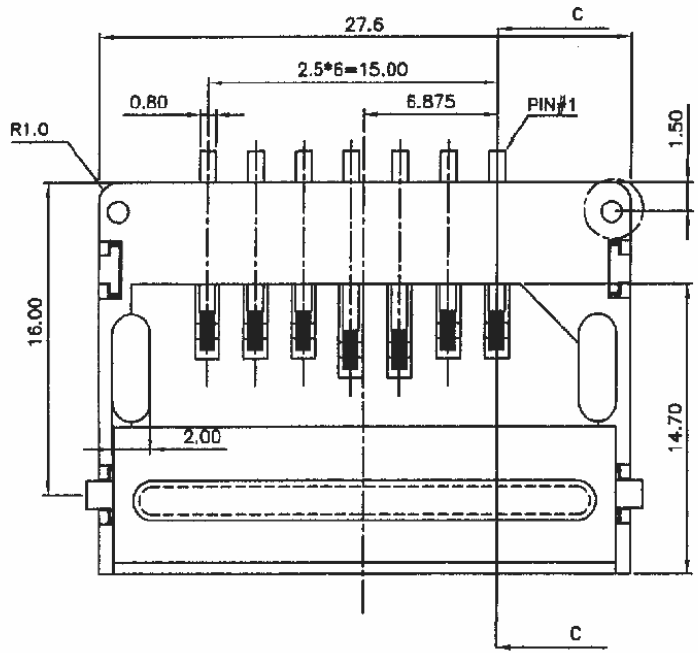


SPECIFICATION
MATERIAL
 Insulator: Thermal Plastic UL94V-0
 Contacts: Copper Alloy
 Boardlock: Copper Alloy
CONTACT PLATING
 Underplate: 50 μ m Nickel
 Contact Area: 1 μ m~30 μ m Selective Gold
 Solder Tail Area: 100 μ m² Tin/Lead(Brighten Tin)or
 100 μ m² Tin/Lead Free(Brighten Tin/Matte Tin)
ELECTRICAL
 Current Rating: 1 A max
 Contact Resistance: 100 mohms Max.
 Insulation Resistance: 1000 Mohms Min.
MECHANICAL
 Mating Cycle: 5000 Cycles Min
 Operating Temperature: -40°C Min/+85°C max

RECOMMENDED P.C.B LAYOUT (TOP VIEW)
 TOLERANCES: ± 0.05 mm



RoHS Compliant

TOLERANCES ARE



DRAWING BY CY

X, \pm

CHECKED BY GENIUS

X, \pm

UNIT / mm

SCALE 1 : 1

.XX, \pm

DATE

.XXX, \pm

ANG, \pm

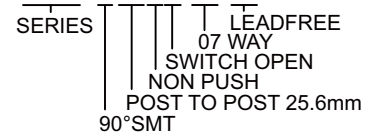
SIZE A4

PPOJECTION

照片框

ORDER INFORMATION

MMC-W25XB-07-LF



DESCRIPTION:

煜倫股份有限公司

www.morethanall.com