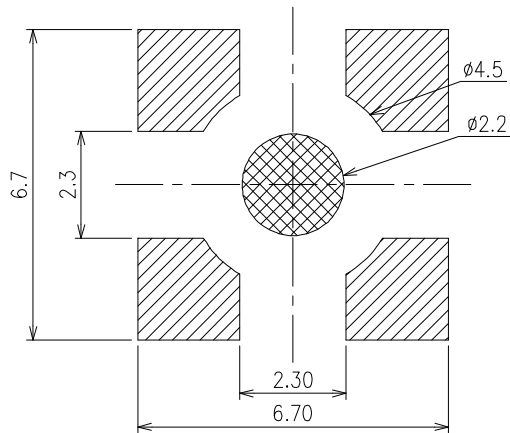
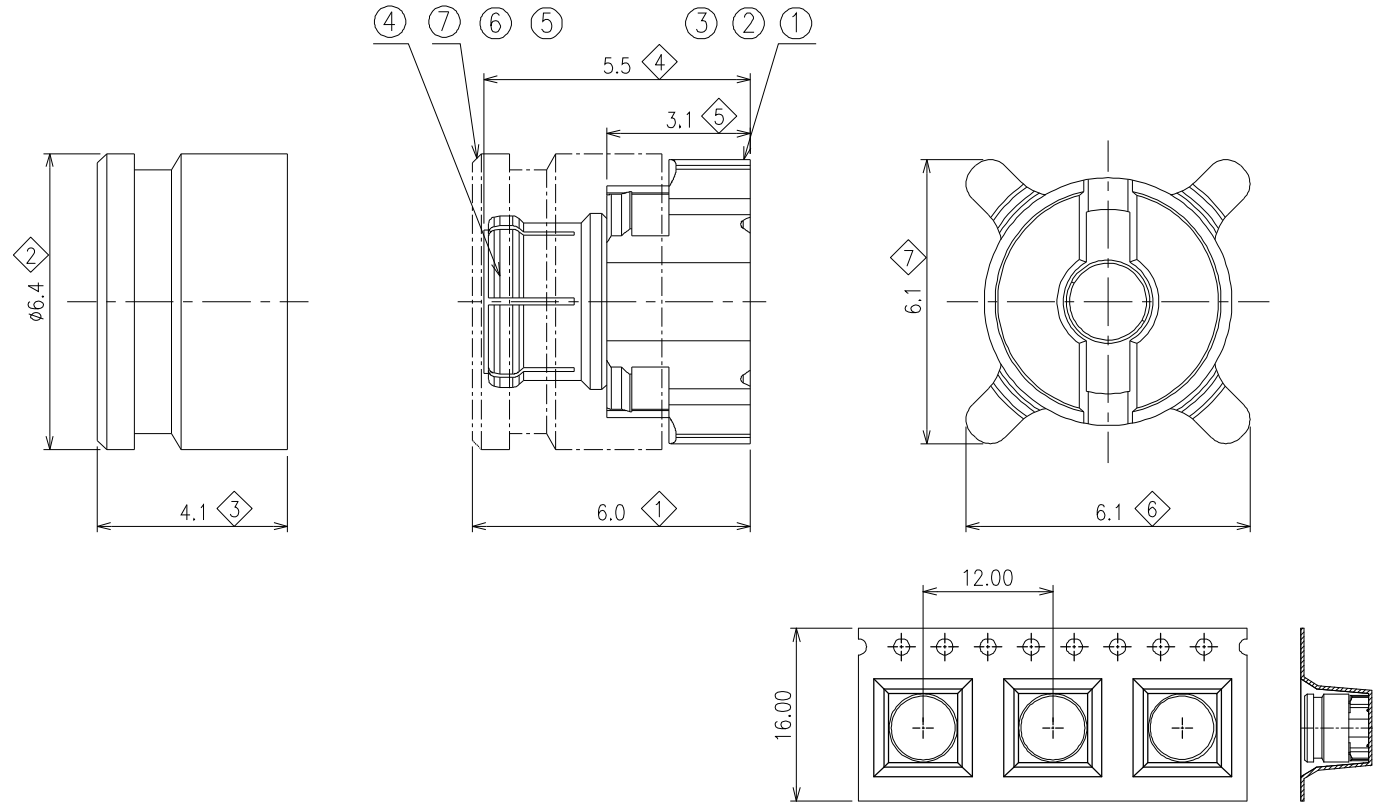


NOTES:

1. MECHANICAL SPEC:
 - 1.1 COUPLING METHOD: SLIDE-ON COUPLING.
 - 1.2 DURABILITY: 100 CYCLES.
2. ENVIRONMENTAL SPEC:
 - 2.1 OPERATING TEMPERATURE: -55°C~+155°C.



RECOMMEND SMT SOLDERING PAD



COMPONENT LOAD PER 13" REEL: 800pcs.

7	CAP	PTFE	NONE	1	ELECTRICAL SPEC	OUTER CONTACT	2.5	mΩ
6	SOCKET CONTACT	BERYLLIUM COPPER	GOLD 1.30um OVER NICKEL	1		CENTER CONTACT	4.0	mΩ
5	INSULATOR 2	LCP&PTFE	NONE	1		CONTACT RESISTANCE:		
4	SHELL	PHOSPHOR BRONZE	GOLD FLASH OVER NICKEL	1		WITHSTANDING VOLTAGE	1000	V
3	PIN CONTACT	BRASS	GOLD 1.30um OVER NICKEL	1		INSULATION RESISTANCE	1000	MΩ
2	INSULATOR 1	LCP&PTFE	NONE	1		FREQUENCY RANGE	0~12.4	GHz
1	BODY	BRASS	GOLD FLASH OVER NICKEL	1		IMPEDANCE	50	Ω
ITEM	NAME	SPEC.	FINISH	Q'TY				

RoHS Compliant

TOLERANCES ARE

MORETHANALL
PCB CONNECTORS
Cable ASSEMBLIES

DRAWING BY CY

CHECKED BY GENIUS

UNIT / mm

SCALE 1 : 1

DATE

SIZE A4

X, ±
.X ± 0.20
.XX ± 0.10
.XXX ± 0.05
ANG ± 2°

PJECTION

照片框

ORDER INFORMATION

MMBX-PVCR-50-LF

SERIES LEADFREE
50 OHM
REEL
COVER
180°SMT

DESCRIPTION:

煜倫股份有限公司

www.morethanall.com