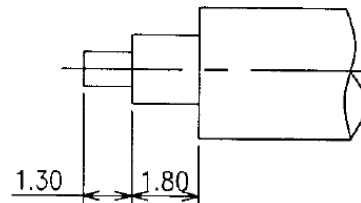
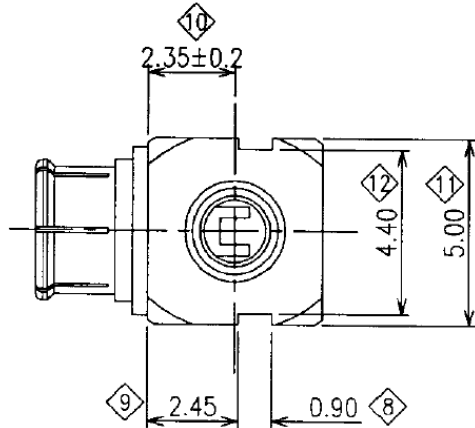


| ITEM | NAME | SPEC. | FINISH | Q'TY |
|------|----------------|------------------|-------------------------|------|
| 5 | CAP | BRASS | GOLD FLASH OVER NICKEL | 1 |
| 4 | BODY | PHOSPHOR BRONZE | GOLD FLASH OVER NICKEL | 1 |
| 3 | SOCKET CONTACT | BERYLLIUM COPPER | GOLD 0.13um OVER NICKEL | 1 |
| 2 | INSULATOR | PTFE | NONE | 1 |
| 1 | GUIDE PIECE | BRASS | GOLD FLASH OVER NICKEL | 1 |

NOTES:

1. MECHANICAL SPEC:
 - 1.1 COUPLING METHOD: SNAP-ON COUPLING.
 - 1.2 DURABILITY: 500 CYCLES.
2. ELECTRICAL SPEC:
 - 2.1 IMPEDANCE: 50 ohm.
 - 2.2 FREQUENCY RANGE: DC~6GHz.
 - 2.3 OUTER CONTACT RESISTANCE: 2.5mΩ.
 - 2.4 CENTER CONTACT RESISTANCE: 5.0mΩ.
 - 2.5 WITHSTANDING VOLTAGE: 750V.
 - 2.6 INSULATION RESISTANCE: 1000MΩ.
3. ENVIRONMENTAL SPEC:
 - 3.1 OPERATING TEMPERATURE: -65°C~+165°C.



RECOMMENDED CABLE STRIPPING DIM'S
FOR CUSTOMER DRAWING

RoHS Compliant

TOLERANCES ARE

MORETHANALL
PCB CONNECTORS
Cable ASSEMBLIES

DRAWING BY CY

CHECKED BY GENIUS

UNIT / mm

SCALE 1 : 1

DATE

SIZE A4

PJECTION

X, ±
.X ± 0.20
.XX ± 0.10
.XXX ± 0.05
ANG ±

照片框

ORDER INFORMATION

MMBX-PCR-085-LF
SERIES LEADFREE
FOR SR.085
90°
CRIMP
MALE

煜倫股份有限公司

www.morethanall.com

DESCRIPTION:MMBX RIGHT ANGLE PLUG FOR SR.085&RG-405/U