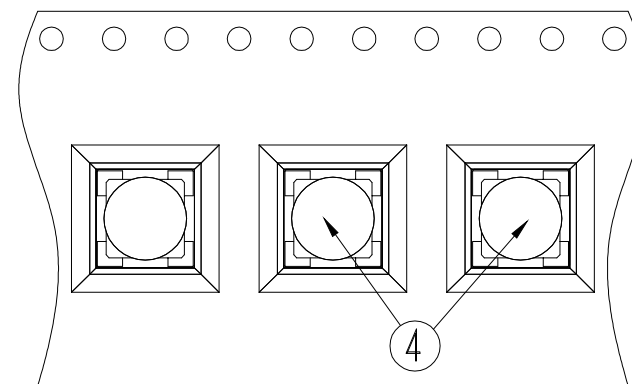


POCKET TAPE



SPECIFICATIONS :

- 1.IMPEDANCE : 50 OHMS
- 2.GOLD FINISH :3 microinches OVER BRASS(BODY)
- 3.GOLD FINISH :30 microinches OVER BRASS(PIN)
- 4.REMOVED ALL BURRS & BREAK ALL SHARP EDGES
- 5.Frequency range : DC to 2.5 GHz 2.5 to 6 GHz 6 to 12.4 GHz
- Return loss : 26 dB 25 dB 7 dB

4	Mylar	1	KAPPON	YELLOW
3	Dielectric	1	PTFE	NONE
2	Pin	1	BRASS	GOLD
1	Body	1	BRASS	GOLD
ITEM	DESCRIPTION	QTY	MATERIAL	FINISH

RoHS Compliant

TOLERANCES ARE

MORETHANALL
PCB CONNECTORS
Cable ASSEMBLIES

煜倫股份有限公司

www.morethanall.com

DRAWING BY CY

CHECKED BY GENIUS

UNIT / mm SCALE 1 : 1

DATE

SIZE A4

X, ±
.X ±
.XX ±
.XXX ±
ANG ±

P PROJECTION

照片框

ORDER INFORMATION

MMBX-JV-50-LF

SERIES | | LEADFREE
| | 50 OHM
| | 180°SMT
JACK

DESCRIPTION: