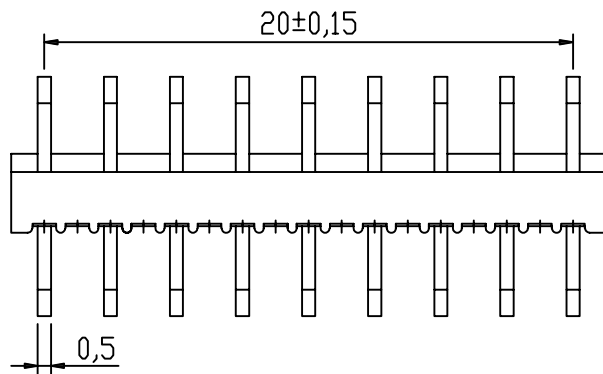
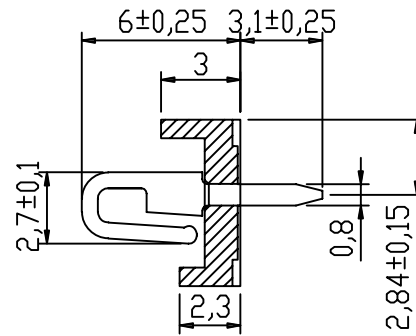
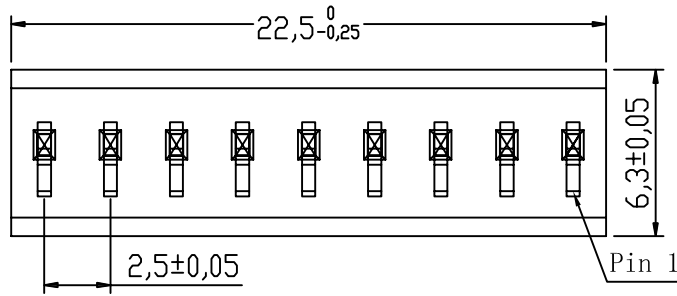


Specifications

Insulator Material :PBT+20%G. F. UL94V-0 Green

Contact Material :C2680-SH T=0.50±0.03

Contact Plated :Gold Flash Over Nickel



RoHS Compliant

TOLERANCES ARE

MORETHANALL
PCB CONNECTORS
Cable ASSEMBLIES

DRAWING BY CY

CHECKED BY GENIUS

UNIT / mm

SCALE 1 : 1

DATE

SIZE A4

PPOJECTION

X. ±
.X ± 0.15
.XX ± 0.10
.XXX ± 0.05
ANG ± 1°

照片框

ORDER INFORMATION

MM25-PD-09-LF
SERIES | LEADFREE
| 09WAY
| DIP 180°
MALE

煜倫股份有限公司

www.morethanall.com

DESCRIPTION: