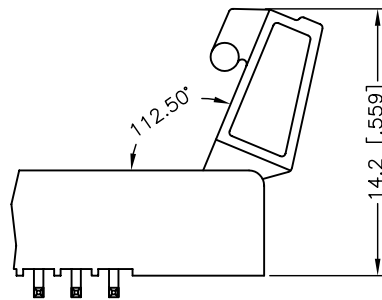


RECOMMEND P.C.B. LAYOUT
TOP VIEW



MATERIALS

1. HOUSING : NYLON 6T (UL 94V-0), BLACK.
2. TERMINAL : S.Q. 0.50mm BRASS, GOLD PLATING.

SPECIFICATION

1. CURRENT RATING : 1 AMP. MAX.
2. DIELECTRIC WITHSTANDING VOLTAGE : 800V AC R.M.S. FOR ONE MINUTE.
3. INSULATION RESISTANCE : 5000M OHMS MIN. AT 500V DC.
4. OPERATING TEMPERATURE : -55°C TO +105°C.

NUMBER OF POSITION	DIMENSIONS		
	A	B	C
20	34.00[1.339]	26.30[1.035]	18.00[.709]
26	40.00[1.575]	32.30[1.272]	24.00[.945]
40	54.00[2.126]	46.30[1.823]	38.00[1.496]
44	58.00[2.283]	50.30[1.980]	42.00[1.654]
50	64.00[2.250]	56.30[2.217]	48.00[1.890]
68	82.00[3.228]	74.30[2.925]	66.00[2.598]

RoHS Compliant

TOLERANCES ARE

MORETHANALL
PCB CONNECTORS
Cable ASSEMBLIES

DRAWING BY CY

CHECKED BY GENIUS

UNIT / mm SCALE 1 : 1

DATE

SIZE A4

X. ±
.X ±
.XX ±
.XXX ±
ANG ±

PJECTION

照片框

ORDER INFORMATION

ML-VM-xxx-LF
SERIES | LEADFREE
020-068 WAY
MOUNT CONTACT 3.1mm
180°SMT

煜倫股份有限公司

www.morethanall.com

DESCRIPTION: 2.00mm PITCH, P.C.B. MOUNT SMT, EJECTOR TYPE