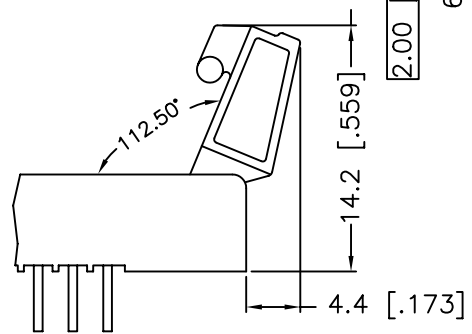


RECOMMEND P.C.B. LAYOUT  
BOTTOM VIEW



**MATERIALS**

1. HOUSING : NYLON 6T (UL 94V-0), BLACK.
2. TERMINAL : S.Q. 0.50mm BRASS, GOLD PLATING.

**SPECIFICATION**

1. CURRENT RATING : 1 AMP. MAX.
2. DIELECTRIC WITHSTANDING VOLTAGE : 800V AC R.M.S. FOR ONE MINUTE.
3. INSULATION RESISTANCE : 5000M OHMS MIN. AT 500V DC.
4. OPERATING TEMPERATURE : -55°C TO +105°C.

NUMBER OF POSITION	DIMENSIONS		
	A	B	C
20	34.00[1.339]	26.30[1.035]	18.00[.709]
26	40.00[1.575]	32.30[1.272]	24.00[.945]
30	44.00[1.732]	36.30[1.429]	28.00[1.102]
40	54.00[2.126]	46.30[1.823]	38.00[1.496]
44	58.00[2.283]	50.30[1.980]	42.00[1.654]
50	64.00[2.250]	56.30[2.217]	48.00[1.890]
68	82.00[3.228]	74.30[2.925]	66.00[2.598]

**MORE THAN ALL**  
CONNECTORS  
ASSEMBLIES

煜倫有限公司

PART NO. ML-RM-xx

DWG NO. ML-RM-xx

FILE NO. H301-0013

UNIT / mm

SCALE 1:1

APPROVED BY CY

DRAWING BY

PROJECTION

TOLERANCES ARE

$.X \pm 0.3$   
 $.XX \pm 0.2$   
 $.XXX$   
 AWG

DESCRIPTION:

2.00mm PITCH, P.C.B. MOUNT  
RIGHT ANGLE, EJECTOR TYPE

AREA	REVISIONS	HK	DATE
------	-----------	----	------