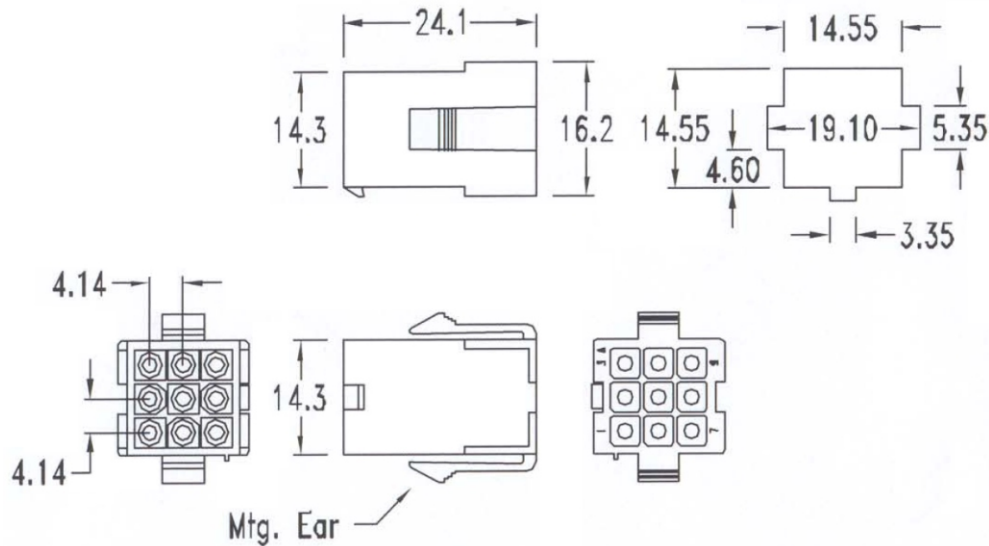


### Features:

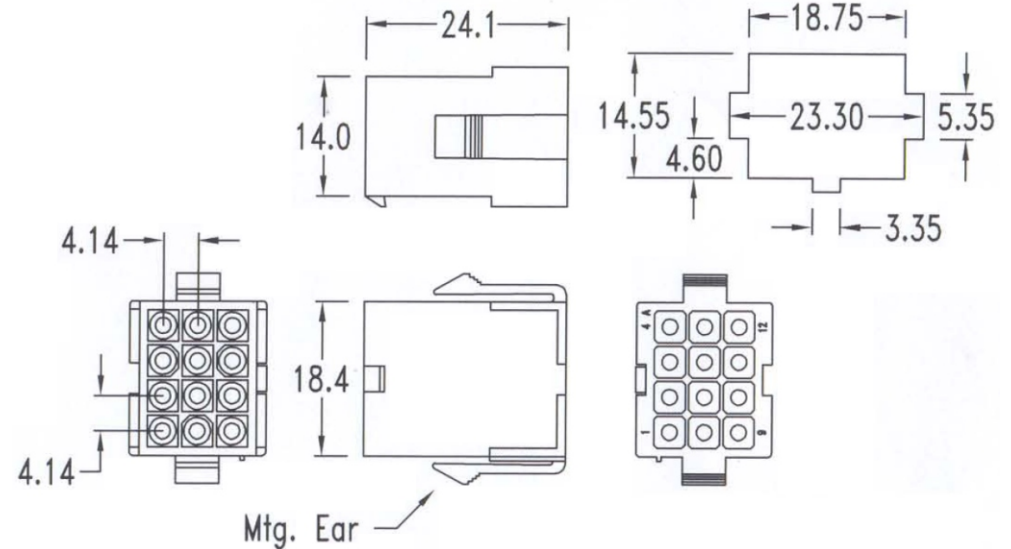
- Material: UL 94V-2 nylon 66

### Specification:

- Current rating: 5A AC, DC
- Voltage rating: 300V AC, DC
- Insulation resistance: 1000M $\Omega$  Min.
- Dielectric withstanding voltage: 1500V AC/minute
- Ambient temperature range: -25°C ~ 90°C



ML-PE-3X03



ML-PE-3X04

**RoHS Compliant**

TOLERANCES ARE

**MORETHANALL**  
PCB CONNECTORS  
Cable ASSEMBLIES

煜倫股份有限公司

www.morethanall.com

DRAWING BY CY

CHECKED BY GENIUS

UNIT / mm SCALE 1 : 1

DATE

SIZE A4 PPROJECTION

X,  $\pm$   
.X  $\pm$  0.40  
.XX  $\pm$  0.25  
.XXX  $\pm$  0.08  
ANG  $\pm$

照片框

**ORDER INFORMATION**

ML-PE-3Xxx-LF  
SERIES | LEADFREE  
3X03:09 WAY  
3X04:12 WAY  
EAR  
MALE HOUSING

DESCRIPTION: