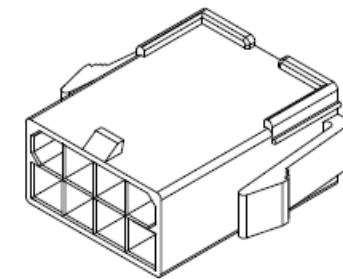
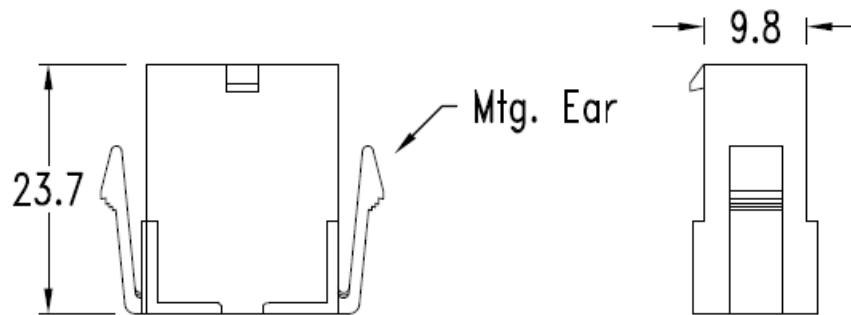
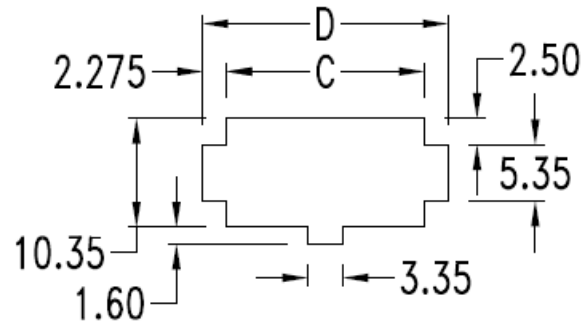
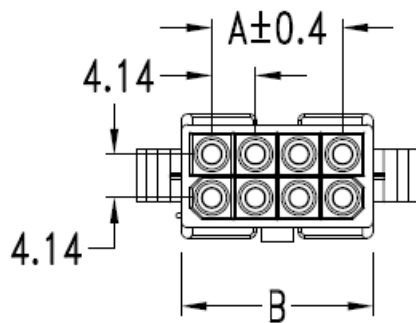


Features:

- Material: UL 94V-2 nylon 66

Specification:

- Current rating: 5A AC, DC
- Voltage rating: 300V AC, DC
- Insulation resistance: 1000M Ω Min.
- Dielectric withstanding voltage: 1500V AC/minute
- Ambient temperature range: -25°C ~ 90°C



RoHS Compliant

TOLERANCES ARE

MORETHANALL
PCB CONNECTORS
Cable ASSEMBLIES

DRAWING BY CY

CHECKED BY GENIUS

UNIT / mm

SCALE 1 : 1

DATE

SIZE A4

PJECTION

X, \pm
.X \pm 0.40
.XX \pm 0.25
.XXX \pm 0.08
ANG \pm

照片框

ORDER INFORMATION

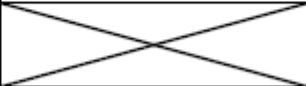
ML-PE-2Xxx-LF
SERIES | LEADFREE
2X01:01 WAY
2X08:16 WAY
EAR
MALE HOUSING

煜倫股份有限公司

www.morethanall.com

DESCRIPTION:

Ordering & Dimensional Information (mm)

Part No.	Dimension			
	Dim. A	Dim. B	Dim. C	Dim. D
ML-PE-2X01		5.6	6.15	10.70
ML-PE-2X02	4.14	9.8	10.35	14.90
ML-PE-2X03	8.28	14.0	14.55	19.10
ML-PE-2X04	12.42	18.2	18.75	23.30
ML-PE-2X05	16.56	22.4	22.95	27.50
ML-PE-2X06	20.70	26.6	27.15	31.70
ML-PE-2X07	24.84	30.8	31.35	35.90
ML-PE-2X08	28.98	35.0	35.55	40.10

RoHS Compliant

TOLERANCES ARE

MORETHANALL
PCB CONNECTORS
Cable ASSEMBLIES

煜倫股份有限公司

www.morethanall.com

DRAWING BY CY

CHECKED BY GENIUS

UNIT / mm

SCALE 1 : 1

DATE

SIZE A4

X, ±
.X ± 0.40
.XX ± 0.25
.XXX ± 0.08
ANG ±

PPOJECTION 

照片框

ORDER INFORMATION

ML-PE-2Xxx-LF

SERIES	LEADFREE
2X01:01 WAY	2X08:16 WAY
EAR	MALE HOUSING

DESCRIPTION: