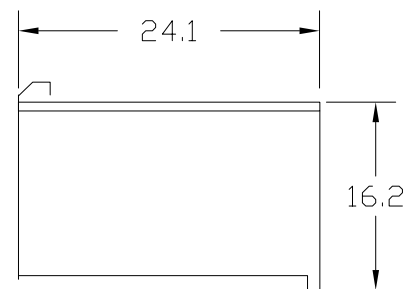
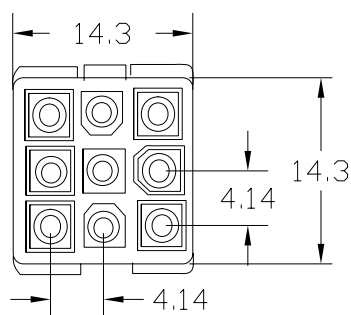


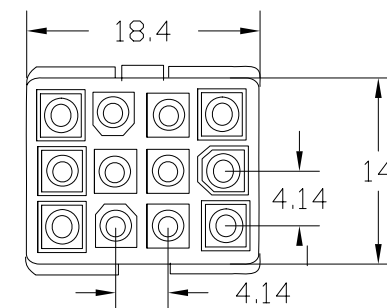
Pcs/1bag
1000

ML-P-3X03



Pcs/1bag
500

ML-P-3X04



SPECIFICATIONS

Voltage rating:300V AC,DC

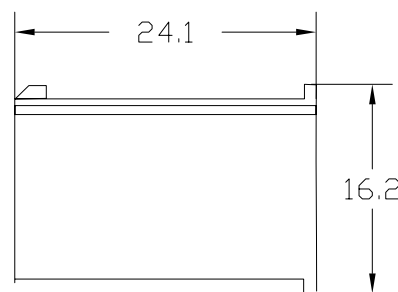
Current rating:5A AC,DC

Withstanding voltage:1500V AC/minute

Insulation resistance:1000MΩHM min

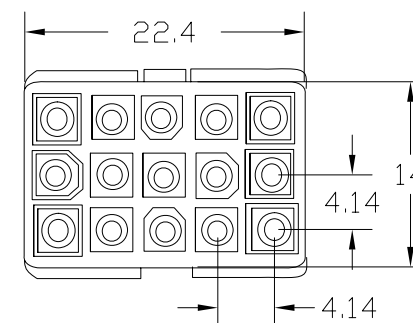
Temperature range:-25°C~+90°C

Material:UL94V-2 Nylon 66



Pcs/1bag
500

ML-P-3X05



RoHS Compliant

TOLERANCES ARE

MORETHANALL
PCB CONNECTORS
Cable ASSEMBLIES

DRAWING BY CY

CHECKED BY GENIUS

UNIT / mm SCALE 1 : 1

DATE

SIZE A4

X, ±
.X ±
.XX ±
.XXX ±
ANG ±

P PROJECTION

照片框

ORDER INFORMATION

ML-P-3Xxx-LF
SERIES | LEADFREE
3X03:09 WAY
3X05:15 WAY
MALE HOUSING

煜倫股份有限公司

www.morethanall.com

DESCRIPTION: