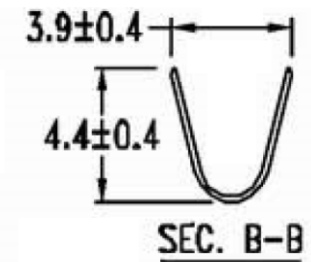
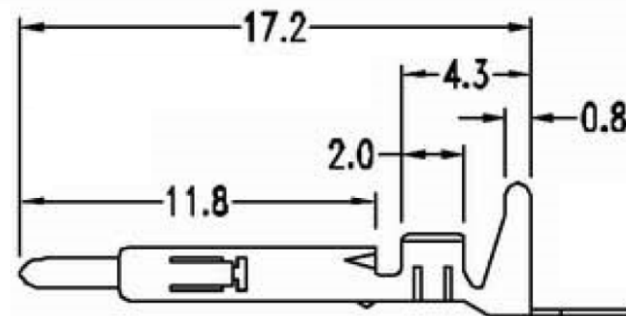
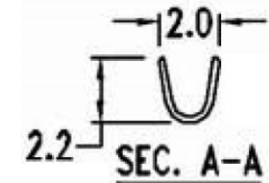
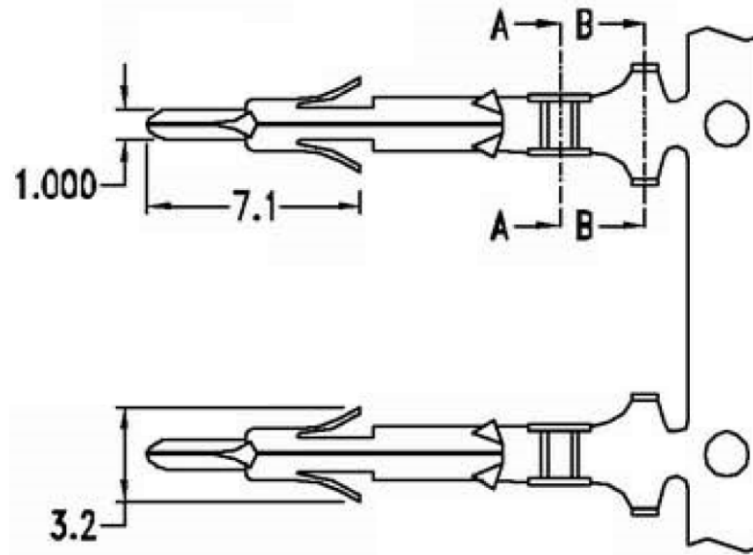


Features:

- Finished: Tin-plated
- Wire range: #18 ~ #24 AWG
- Thickness: 0.2mm

Specification:

- Current rating: 5A AC, DC
- Voltage rating: 300V AC, DC
- Dielectric withstanding voltage: 1500V AC/minute
- Ambient temperature range: -25°C ~ 90°C
- Material : Brass



RoHS Compliant

TOLERANCES ARE

MORETHANALL
PCB CONNECTORS
Cable ASSEMBLIES

DRAWING BY CY

CHECKED BY GENIUS

UNIT / mm

SCALE 1 : 1

DATE

SIZE A4

PJECTION

X, ±
.X ± 0.40
.XX ± 0.25
.XXX ± 0.08
ANG ±

照片框

ORDER INFORMATION

ML-M-18-LF
SERIES | LEADFREE
18-24WAY
MALE TERMINAL

煜倫股份有限公司

www.morethanall.com

DESCRIPTION: .098"(2.5mm) Crimp Terminal