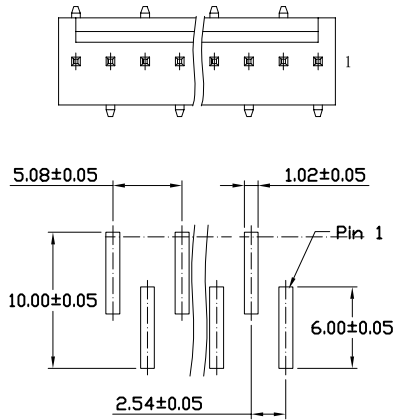
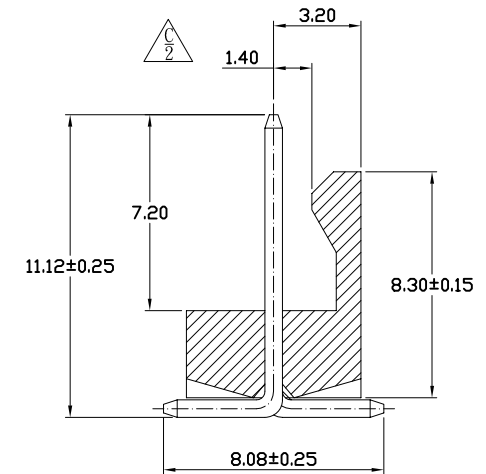
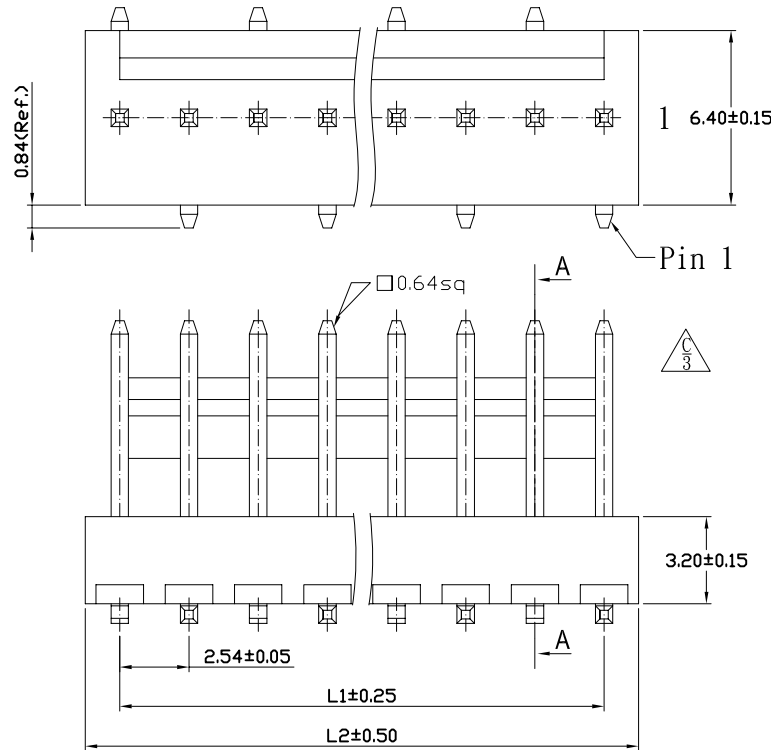


SPECIFICATIONS

Current Rating: 3 Amp
 Voltage Rating: 250V
 Insulator resistance: 5000 MΩ Min.
 Contact Resistance: 20 mΩ Max.
 Dielectric withstanding: AC 1000V/minute
 Operating Temperature: -40° ~ +75°C

Contact Material: Brass
 Insulator Material: Nylon-6T UL94V-0
 Color: Natural
 Finish: Tin plated

| Cir-cuits | Dimension mm | |
|-----------|--------------|-------|
| | L1 | L2 |
| 2 | 2.54 | 5.08 |
| 3 | 5.08 | 7.62 |
| 4 | 7.62 | 10.16 |
| 5 | 10.16 | 12.70 |
| 6 | 12.70 | 15.24 |
| 7 | 15.24 | 17.78 |
| 8 | 17.78 | 20.32 |
| 9 | 20.32 | 22.86 |
| 10 | 22.86 | 25.40 |
| 11 | 25.40 | 27.59 |
| 12 | 27.59 | 30.48 |
| 13 | 30.48 | 33.02 |
| 14 | 33.02 | 35.56 |
| 15 | 35.56 | 38.10 |



RECOMMENDED P. C. B. LAYOUT

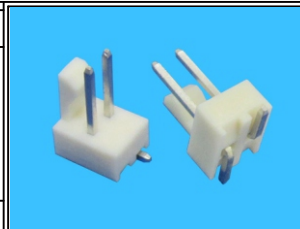
RoHS Compliant

TOLERANCES ARE

MORETHANALL
 PCB CONNECTORS
 Cable ASSEMBLIES

DRAWING BY CY
 CHECKED BY GENIUS
 UNIT / mm SCALE 1 : 1
 DATE

X. ±
 .X ±
 .XX ±
 .XXX ±
 ANG ±



ORDER INFORMATION

MKL-VVHX-xxR-LF
 SERIES | LEADFREE
 | R TYPE FOOT
 | 02~15 WAY
 | NON POST
 | WHITE
 | 180°SMT

煜倫股份有限公司

www.morethanall.com

SIZE A4 PPROJECTION

DESCRIPTION: