

Features:

- Wire range: #22 ~ #28 AWG

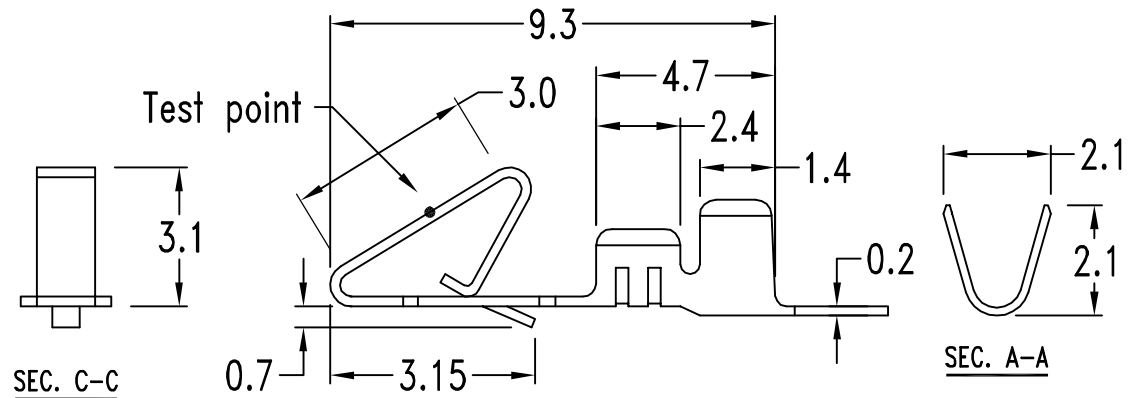
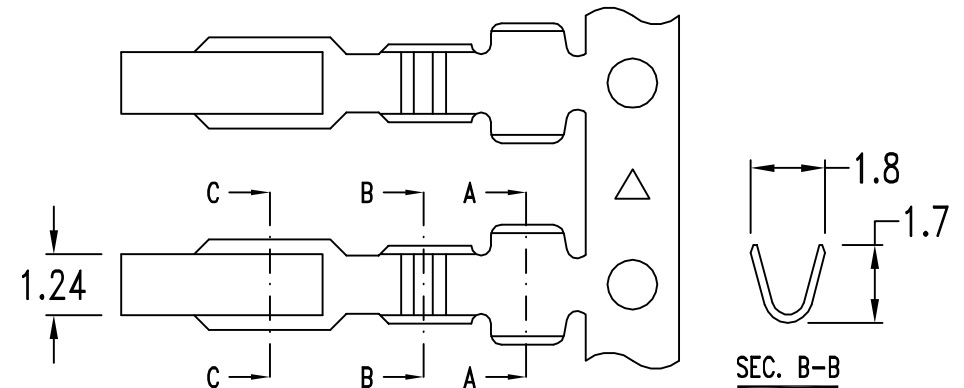
Specification:

- Current rating: 3A
- Voltage rating: 250V AC, DC Max.
- Contact resistance: 20mΩ Max.
- Engagement force: 500g Max. with tin-plated .025"(0.64mm) square pin
- Disengagement Force: 87g Min. for first cycle with tin-plated .025"(0.64mm) square pin
- Terminal retention force: 1.5Kg Min.
- Crimp strength: #22 4.0 Kg Min.
#24 3.0 Kg Min.
#26 2.0 Kg Min.
- Ambient temperature range: -40°C ~ 105°C

Ordering Information

| Part No. | Material | Finished | Q'ty/Reel | Type |
|-----------|----------|------------|-----------|-----------|
| MKL-TG-22 | Brass | Gold-flash | 10000 | Loose |
| | | | | End-chain |

Note: 1u" Min. Gold over 50u" Min. Nickel overall



RoHS Compliant

TOLERANCES ARE



煜倫股份有限公司

www.morethanall.com

DRAWING BY CY

CHECKED BY GENIUS

UNIT / mm SCALE 1 : 1

DATE

SIZE A4

X, ±
.X ± 0.40
.XX ± 0.25
.XXX ± 0.08
ANG ±

PJECTION

照片框

ORDER INFORMATION

MKL-TG-22-LF
SERIES | LEADFREE
22~26 AWG
GOLD
TERMINAL

DESCRIPTION: