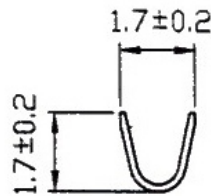
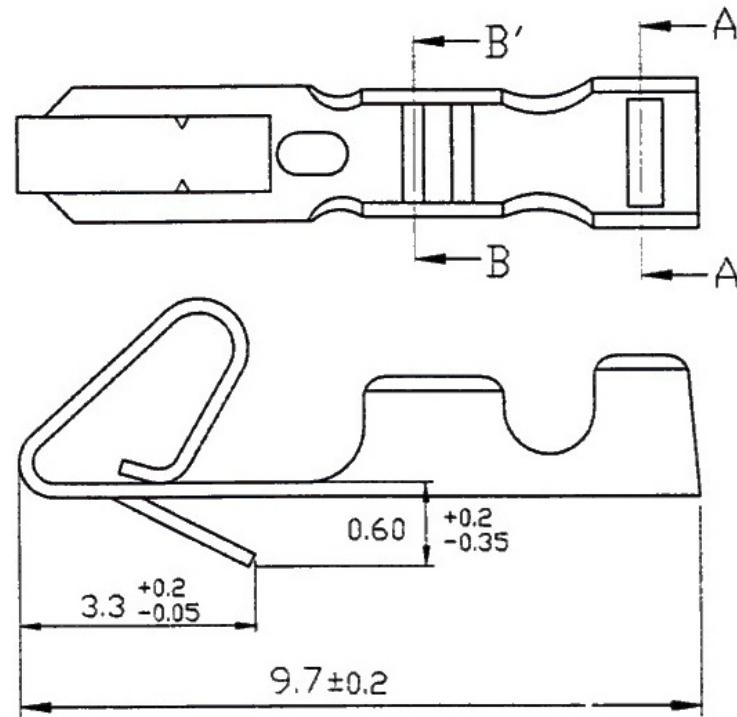
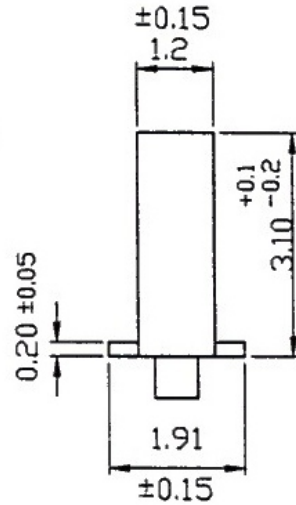


Section A-A'



Section B-B'



- \* THICKNESS:0.2mm
- \* CURRENT RATING: 3A AC,DC
- \* VOLTAGE RATING: 250V AC,DC
- \* APPLICABLE WIRE RANGE:AWG#22-28

RoHS Compliant

TOLERANCES ARE

**MORETHANALL**  
PCB CONNECTORS  
Cable ASSEMBLIES

煜倫股份有限公司

www.morethanall.com

DRAWING BY CY

CHECKED BY GENIUS

UNIT / mm

SCALE 1 : 1

DATE

SIZE A4

X, ±  
X, ±  
.XX ±  
.XXX ±  
ANG ±

PPOJECTION

照片框

ORDER INFORMATION

MKL-TC-22-LF  
SERIES | LEADFREE  
| 22-28 AWG  
| CAT EAR  
| TERMINAL

DESCRIPTION: