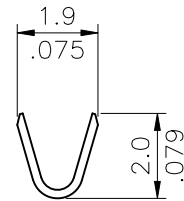
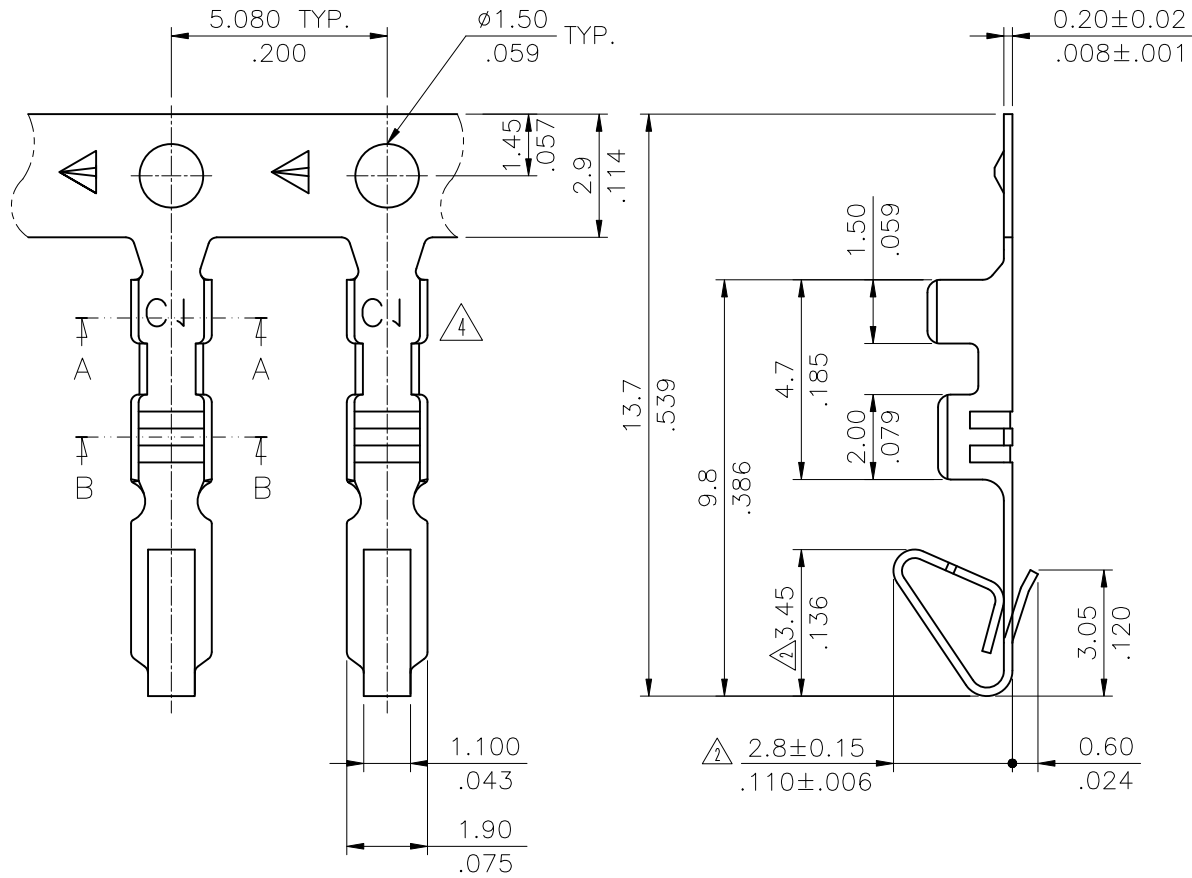
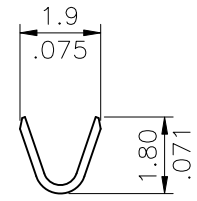


Wire Range	Insulation Diameter	Reel Q'ty
AWG #22~#28	1.50 MAX. (.059)	10,000 PCS.



SEC: A-A



SEC: B-B

RoHS Compliant

TOLERANCES ARE

**MORETHANALL**  
PCB CONNECTORS  
Cable ASSEMBLIES

DRAWING BY CY

CHECKED BY GENIUS

UNIT / mm

SCALE 1 : 1

DATE

SIZE A4

PJECTION

X ±  
.X ± 0.20  
.XX ± 0.10  
.XXX ± 0.05  
ANG ±

照片框

ORDER INFORMATION

MKL-T-22-LF  
SERIES | LEADFREE  
22-28AWG  
TERMINAL

煜倫股份有限公司

www.morethanall.com

DESCRIPTION: