

SPECIFICATIONS

Current Rating:

3 Amp

Voltage Rating:

230V

Insulator resistance:

5000 Megohms Min.

Contact resistance:

20 m ohms Max.

Dielectric withstanding:

AC 500V/minute

Operating Temperature:

-40°~+105°C

Contact Material:

Brass

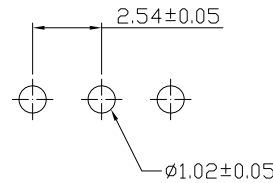
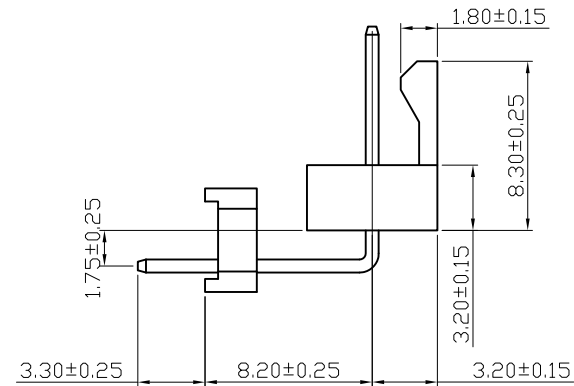
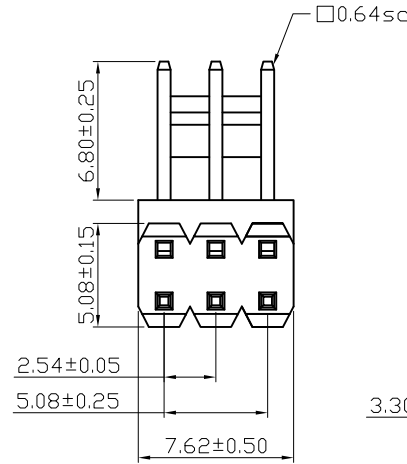
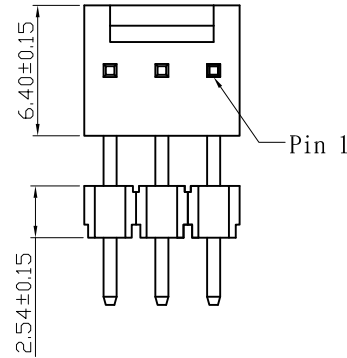
Insulator Material:

Nylon-6T UL94V-0

Color:Natural、White

Finish:

Tin plated



RECOMMENDED P. C. B LAYOUT

RoHS Compliant

TOLERANCES ARE

MORETHANALL
PCB CONNECTORS
Cable ASSEMBLIES

DRAWING BY CY

CHECKED BY GENIUS

UNIT / mm

SCALE 1 : 1

DATE

SIZE A4

X, ±
.X ± 0.50
.XX ± 0.25
.XXX ±
ANG ± 3°

P PROJECTION

照片框

ORDER INFORMATION

MKL-RWH11S-03-LF
SERIES | | | | LEADFREE
| | | | 03 WAY
| | | | BASE
| | | | 11.5mm
| | | | WHITE
| | | | DIP 90°

DESCRIPTION:

煜倫股份有限公司

www.morethanall.com