

Features:

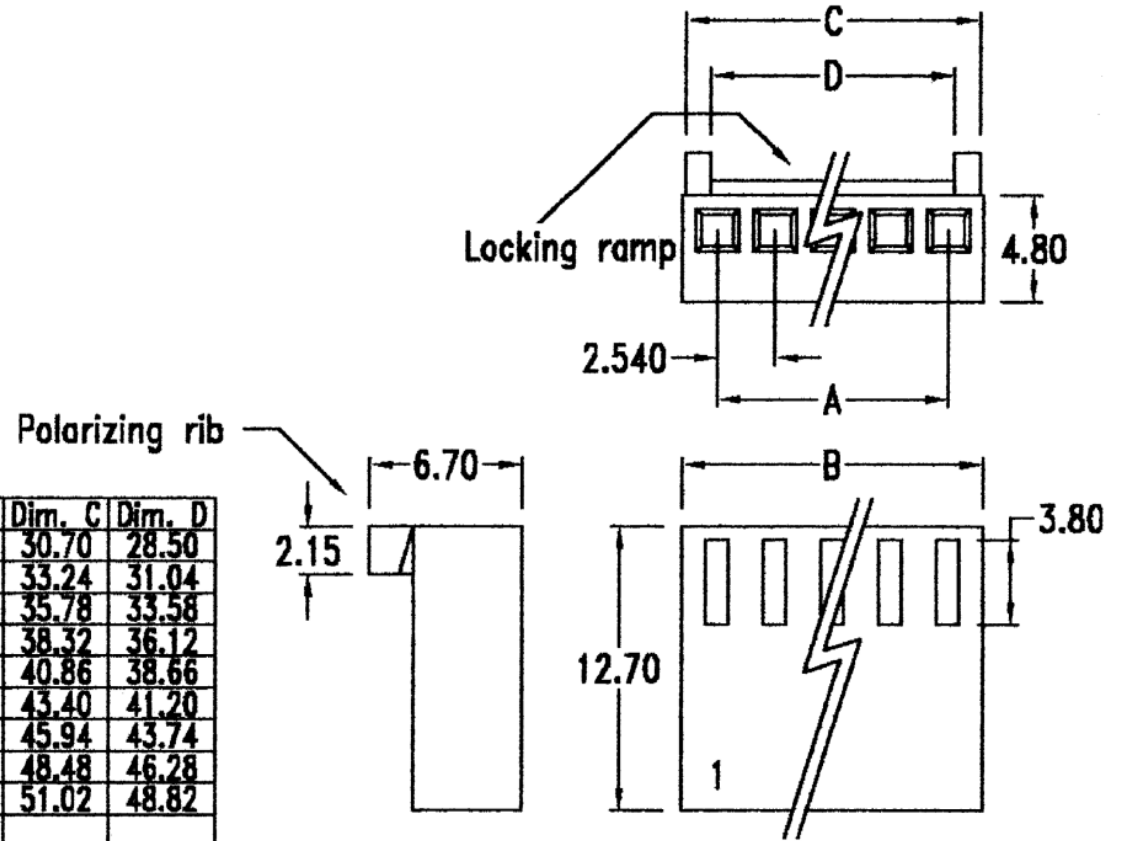
- 2 ~ 20 circuits available
- Material: UL 94V-0 nylon 66
- Molded friction lock

Specifications:

- Current rating: 3A AC, DC
- Voltage rating: 250V AC, DC
- Insulation resistance: 1000M Ω
- Dielectric withstanding voltage: 1500V AC/minute
- Ambient temperature range: -40°C ~ 105°C

Dimensional Information (mm)

| Circuits | Dim. A | Dim. B | Dim. C | Dim. D | Circuits | Dim. A | Dim. B | Dim. C | Dim. D |
|----------|--------|--------|--------|--------|----------|--------|--------|--------|--------|
| 2 | 2.54 | 5.60 | 5.30 | 3.10 | 12 | 27.94 | 31.00 | 30.70 | 28.50 |
| 3 | 5.08 | 8.14 | 7.84 | 5.64 | 13 | 30.48 | 33.54 | 33.24 | 31.04 |
| 4 | 7.62 | 10.68 | 10.38 | 8.18 | 14 | 33.02 | 36.08 | 35.78 | 33.58 |
| 5 | 10.16 | 13.22 | 12.92 | 10.72 | 15 | 35.56 | 38.62 | 38.32 | 36.12 |
| 6 | 12.70 | 15.76 | 15.46 | 13.26 | 16 | 38.10 | 41.16 | 40.86 | 38.66 |
| 7 | 15.24 | 18.30 | 18.00 | 15.80 | 17 | 40.64 | 43.70 | 43.40 | 41.20 |
| 8 | 17.78 | 20.84 | 20.54 | 18.34 | 18 | 43.18 | 46.24 | 45.94 | 43.74 |
| 9 | 20.32 | 23.38 | 23.08 | 20.88 | 19 | 45.72 | 48.78 | 48.48 | 46.28 |
| 10 | 22.86 | 25.92 | 25.62 | 23.42 | 20 | 48.26 | 51.32 | 51.02 | 48.82 |
| 11 | 25.40 | 28.46 | 28.16 | 25.96 | | | | | |



RoHS Compliant

TOLERANCES ARE

MORETHANALL
PCB CONNECTORS
Cable ASSEMBLIES

DRAWING BY CY

X, \pm
.X \pm 0.40
.XX \pm 0.25
.XXX \pm 0.08
ANG \pm

CHECKED BY GENIUS

UNIT / mm SCALE 1 : 1

DATE

SIZE A4

P PROJECTION

照片框

ORDER INFORMATION

MKL-HWH-xx-LF
SERIES | LEADFREE
| 02~20WAY
WHITE
HOUSING

煜倫股份有限公司

www.morethanall.com

DESCRIPTION: